

Euro system separator GENO-DK 2-Mini

Intended use

The Euro system separator GENO-DK 2-Mini is a safety device to be installed in water pipes if downstream withdrawal points or appliances are connected to the drinking water supply.

The BA design system separator in accordance with DIN EN 12729 protects drinking water from impurities up to and including liquid category 4 (according to DIN EN 1717, Part 5.2).

The system separator prevents the backflow, back pressure and back suction of modified drinking water into the drinking water network.

In order to be able to correctly select and use the proper safety measures which differ with regard to their function and effectiveness, it is necessary to classify substances or micro-organisms that could get into the drinking water and might cause adverse effects or risks due to the modified drinking water into 5 liquid categories – irrespective of the concentration of such substances or micro-organisms.

If several substances or micro-organisms might get into the drinking water at the same time, the most hazardous substance or micro-organism shall determine the liquid category.

Liquid category 1

Water for human consumption withdrawn directly from a drinking water installation.

Liquid category 2

Liquid that does not represent a risk to human health. Liquids that are suitable for human consumption – including water originating from a drinking water installation – that may exhibit modifications with regard to taste, smell, colour or temperature (heating up or cooling down).

Liquid category 3

Liquid that poses a health risk due to toxic substances.

Liquid category 4

Liquid that poses a health risk due to toxic substances or radioactive, mutagenic or carcinogenic substances.

Liquid category 5

Liquid that represents a health risk to human beings due to the presence of microbial or viral pathogens of contagious diseases.

Procedure

The Euro system separator is divided into three pressure zones.

- **Upstream pressure zone:**
Area upstream of the non-return valve on the inlet side
- **Intermediate pressure zone:**
Area between the non-return valves
- **Downstream pressure zone:**
Area downstream of the non-return valve on the outlet side

The control unit closes (flow-through position) or opens (separation position) the drain valve subject to the pressure conditions in the upstream and intermediate pressure zone, thus preventing back-flow, back-pressure and back-suction. The non-return valve on the outlet side additionally secures this.

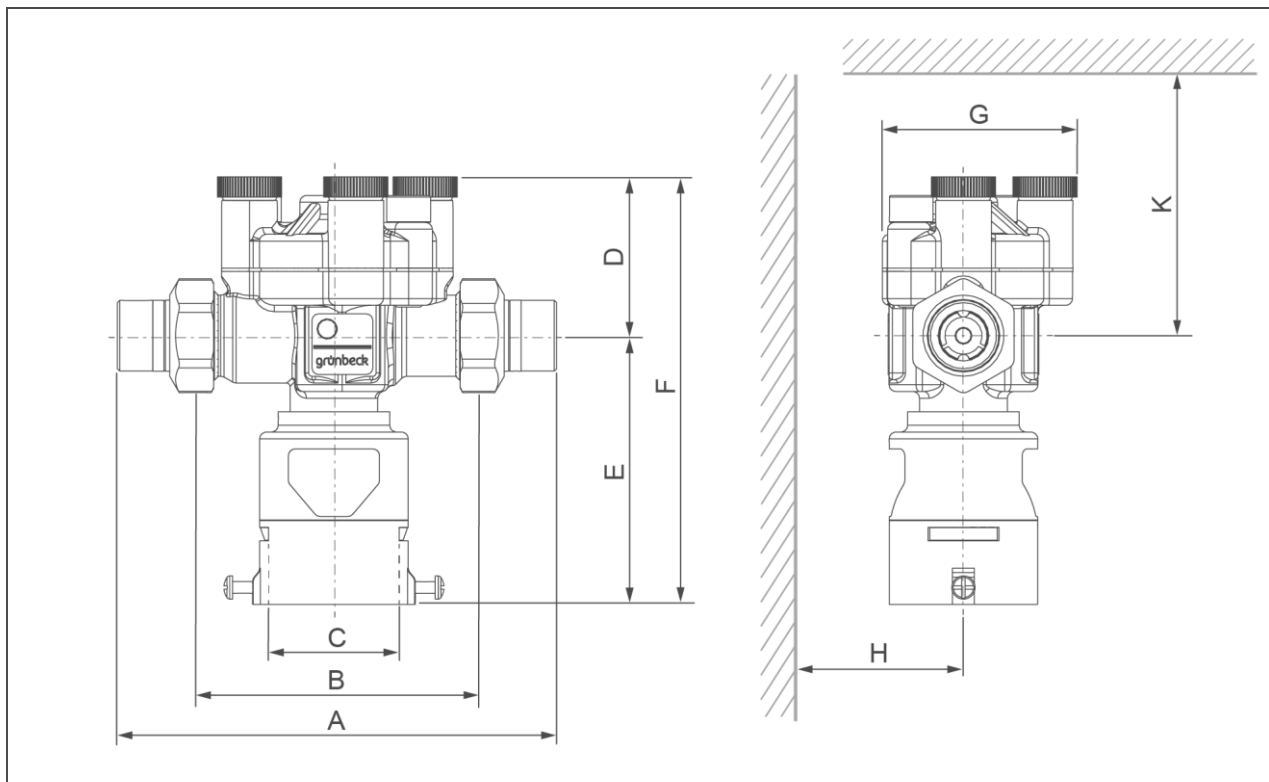
Setup

- Housing with test connections at every pressure zone 1/8"
- Temporary strainer as coarse dirt filter 500 µm in the upstream pressure zone
- Two non-return valves
- Relief valve
- Drain connection acc. to DIN EN 1717
- Screw connections including reduction to R 3/4"

Scope of supply

- Euro system separator
- Screw connections
- Flat seal
- Temporary strainer

Technical specifications I



Dimensions and weights		GENO-DK 2-Mini
A	Installation length with screw connections	mm 130
B	Installation length without screw connections	mm 83
C	Ø Drain connection	mm 40
D	Height above centre of pipe connection	mm 47
E	Height below centre of pipe connection	mm 80
F	Total height	mm 127
G	Total width	mm 54
H	Distance to wall	mm 35
H	Space required above centre of pipe connection (e. g. for maintenance)	mm 200
	Empty weight	kg 0.9
	Operating weight, approx.	kg 1, 2
Order no.		133 100

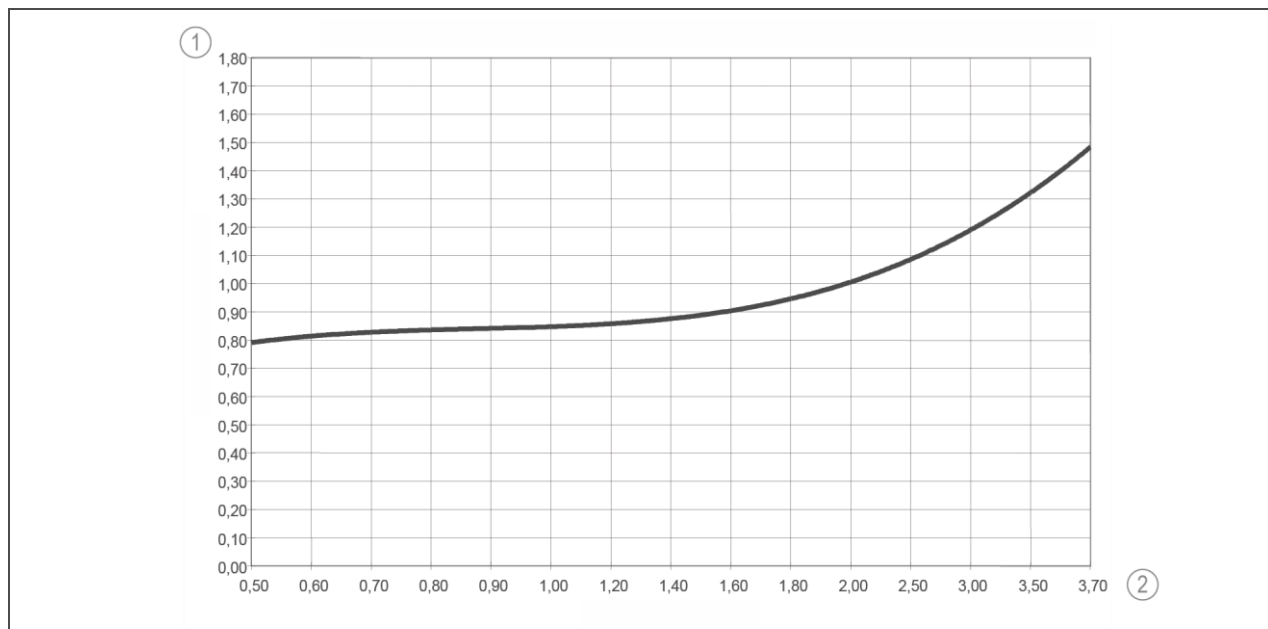
Technical specifications II

Connection data		GENO-DK 2-Mini
Nominal connection diameter	mm	DN 15
Connection diameter		R ½" (or R ¾")

Performance data		GENO-DK 2-Mini
Nominal pressure	bar	PN 10
Flow pressure	bar	≥ 1
Flow	m³/h	≤ 3.5
K _v value (Δp = 1 bar)	m³/h	2
Dripping water volume per opening and closing process, approx.	ml	10
Waste water volume at drain connection	m³/h	≤ 1.5

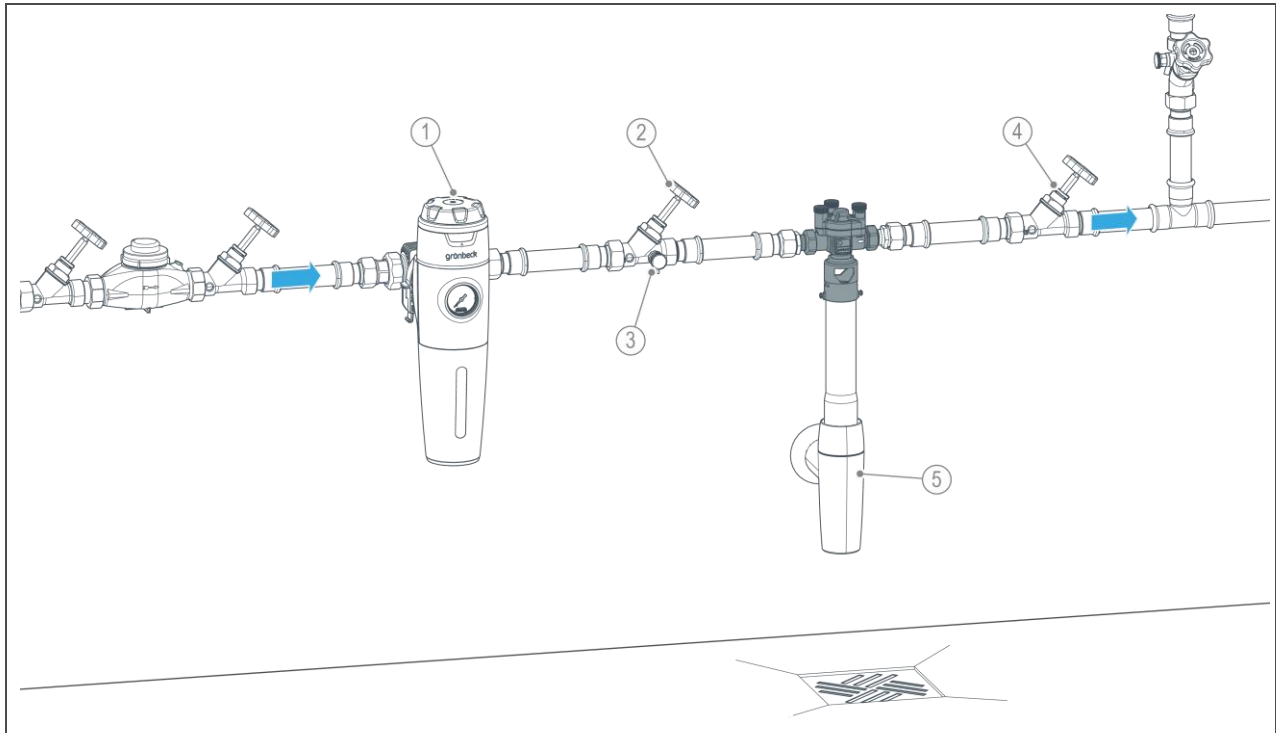
General data		GENO-DK 2-Mini
Media temperature	°C	5 – 60
Ambient temperature	°C	5 – 60
DVGW registration number		NW-6305BR0345
Order no.		133 100

Pressure loss curve of Euro system separator GENO-DK 2-Mini



Item	Designation	Item	Designation
1	Differential pressure in bar	2	Flow rate in m³/h

Installation example



Item	Designation	Item	Designation
1	pureliQ-X drinking water filter series	2	Inlet shut-off valve
3	Draining valve	4	Outlet shut-off valve
5	Drain connection DN 50 acc. to DIN EN 1717		

Requirements for the installation site

Please observe local installation directives, general guidelines and technical specifications.

- Protection from frost and severe heat exposure
- Protection from chemicals, dyes, solvents and their vapours
- Ambient temperature and radiation temperature in the immediate vicinity $\leq 60\text{ °C}$
- Access for maintenance work (take required space into consideration)
- Sufficiently illuminated as well as aerated and ventilated
- Pipe with sufficient load-bearing capacity to support the operating weight of the product

Water installation

- Drinking water filter installed upstream (e.g. fine filter pureliQ:KDX)
- Floor drain or safety device to prevent water damage
- Drain connection \geq DN 40
- Shut-off valves upstream and downstream of the product
- Discharge valve in front of the product

Accessories

Service case to check the pressure zone as per W/TPW 135
Service kit
Order no.132 095

Contact

Grünbeck AG
Josef-Grünbeck-Str. 1
89420 Hoehstaedt, Germany

☎ +49 (0)9074 41-0

☎ +49 (0)9074 41-100

info@gruenbeck.com
www.gruenbeck.com

