

Euro system separator GENO-DK 2

Intended use

The Euro system separator GENO-DK 2 is a safety device to be installed in water pipes if downstream withdrawal points or appliances are connected to the drinking water supply.

The BA design system separator in accordance with DIN EN 12729 protects drinking water from impurities up to and including liquid category 4 (according to DIN EN 1717, Part 5.2).

The system separator prevents the backflow, back pressure and back suction of modified drinking water into the drinking water network.

In order to be able to correctly select and use the proper safety measures which differ with regard to their function and effectiveness, it is necessary to classify substances or micro-organisms that could get into the drinking water and might cause adverse effects or risks due to the modified drinking water into 5 liquid categories – irrespective of the concentration of such substances or micro-organisms.

If several substances or micro-organisms might get into the drinking water at the same time, the most hazardous substance or micro-organism shall determine the liquid category.

Liquid category 1

Water for human consumption withdrawn directly from a drinking water installation.

Liquid category 2

Liquid that does not represent a risk to human health. Liquids that are suitable for human consumption – including water originating from a drinking water installation – that may exhibit modifications with regard to taste, smell, colour or temperature (heating up or cooling down).

Liquid category 3

Liquid that poses a health risk due to toxic substances.

Liquid category 4

Liquid that poses a health risk due to toxic substances or radioactive, mutagenic or carcinogenic substances.

Liquid category 5

Liquid that represents a health risk to human beings due to the presence of microbial or viral pathogens of contagious diseases.

Procedure

The Euro system separator is divided into three pressure zones.

- **Upstream pressure zone:**
Area upstream of the non-return valve on the inlet side
- **Intermediate pressure zone:**
Area between the non-return valves
- **Downstream pressure zone:**
Area downstream of the non-return valve on the outlet side

The control unit closes (flow-through position) or opens (separation position) the drain valve subject to the pressure conditions in the upstream and intermediate pressure zone, thus preventing back-flow, back-pressure and back-suction. The non-return valve on the outlet side additionally secures this.

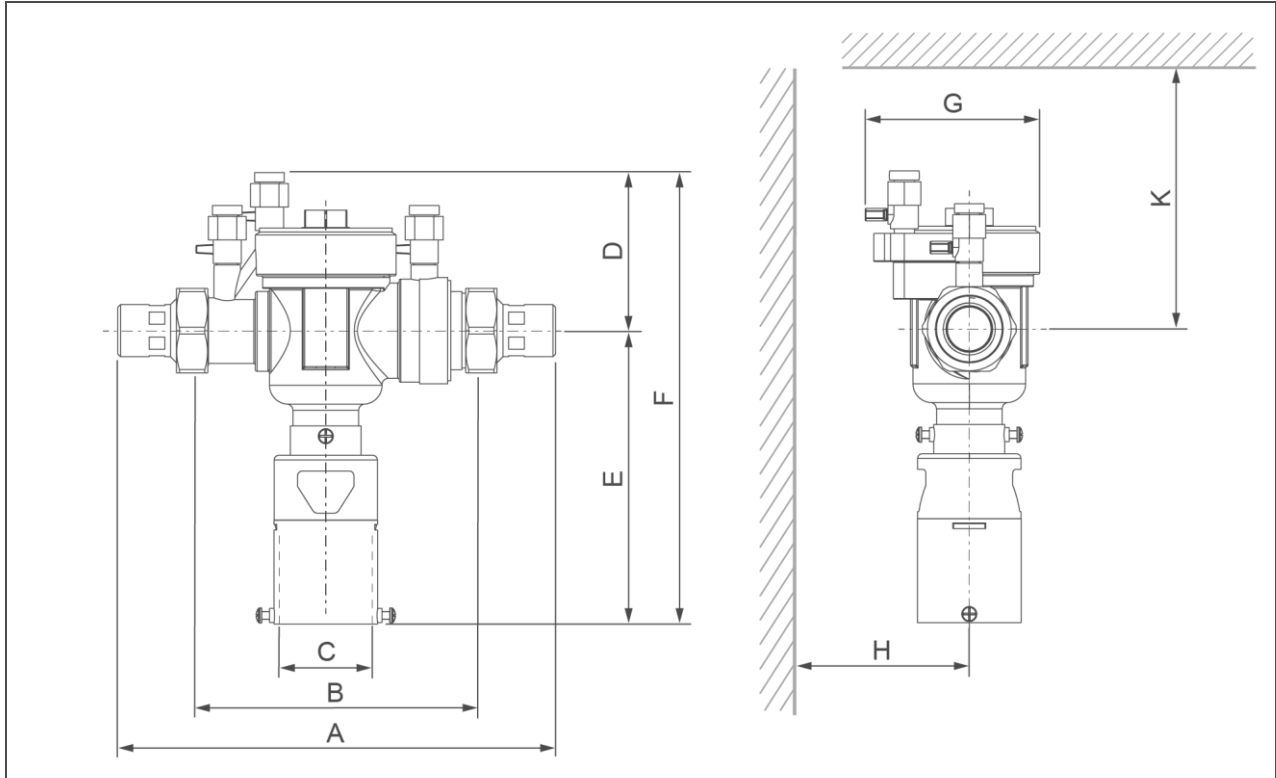
Setup

- Housing with test connections at every pressure zone 1/8"
- Strainer insert as coarse dirt filter 500 µm in the upstream pressure zone
- Two non-return valves
- Relief valve
- Drain connection acc. to DIN EN 1717
- Screw connections

Scope of supply

- Euro system separator
- Screw connections
- Flat seals
- Strainer insert

Technical specifications I



Dimensions and weights		GENO-DK 2						
		DN 15	DN 20	DN 25	DN 32	DN 40	DN 50	
A	Installation length with screw connections	mm	227		280		387	395
B	Installation length without screw connections	mm	153		187		274	
C	Ø Drain connection	mm	40/50				50	
D	Height above centre of pipe connection	mm	103		100		130	
E	Height below centre of pipe connection	mm	160		188		130	
F	Total height	mm	263		292		382	
G	Total width	mm	110		114		160	
H	Distance to wall	mm	70		80		90	
H	Space required above centre of pipe connection (e. g. for maintenance)	mm	250		250		280	
	Empty weight	kg	3		4.7		10.7	11.8
	Operating weight, approx.	kg	3.4		5.2		12.5	13.6
Order no.			132 510	132 520	132 530	132 540	132 560	132 570

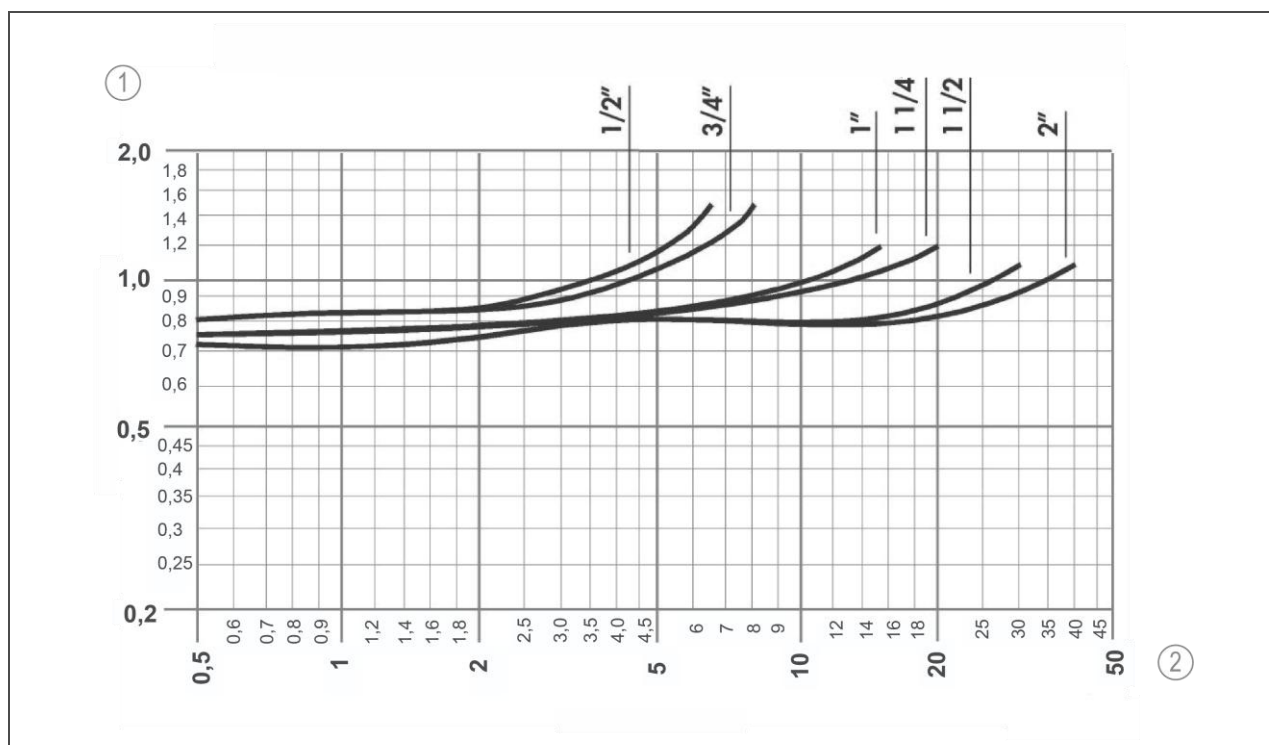
Technical specifications II

Connection data	GENO-DK 2					
Nominal connection diameter	DN 15	DN 20	DN 25	DN 32	DN 40	DN 50
Connection diameter	½"	¾"	1"	1¼"	1½"	2"

Performance data	GENO-DK 2						
Nominal pressure	PN 10						
Min. flow pressure	bar	1					
Max. flow	m³/h	1.9	3.3	5.2	7.2	13.5	21
K _v value (Δp = 1 bar)	m³/h	3.5	4.5	7.6	9.4	22.2	32.5

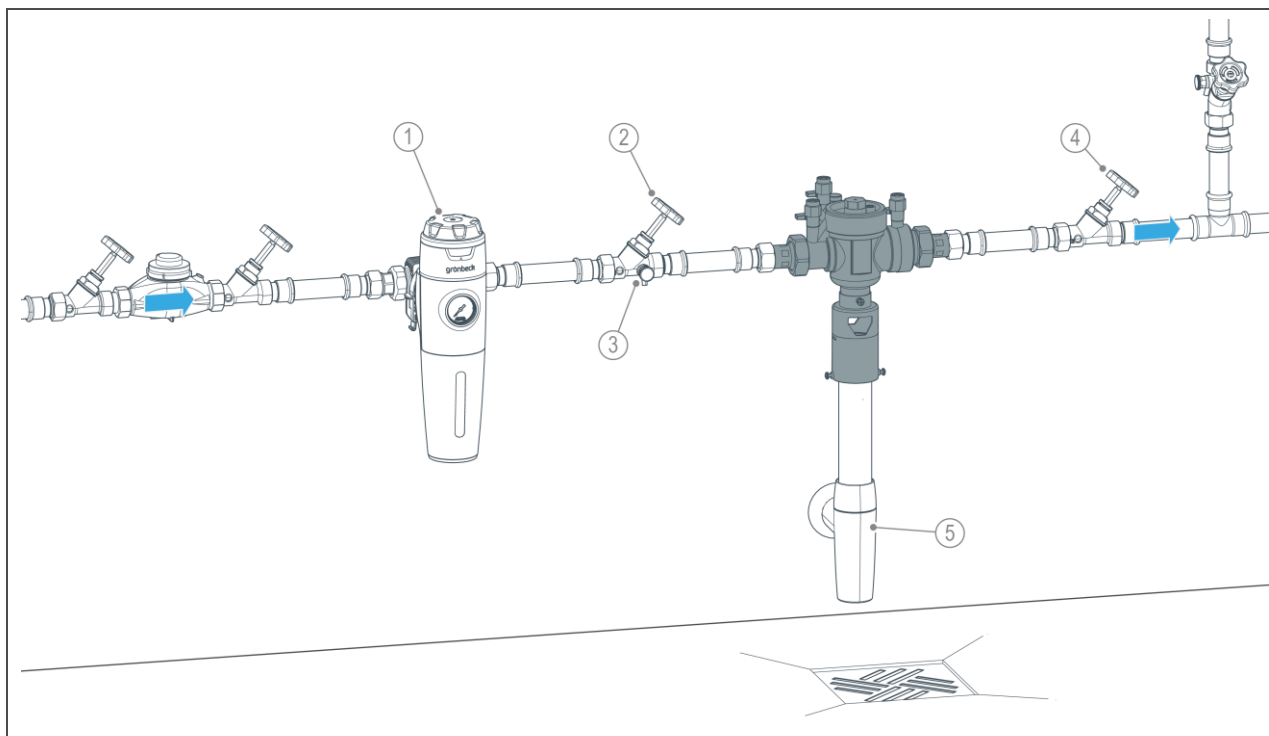
General data	GENO-DK 2					
Media temperature	°C	5 – 65				
Ambient temperature	°C	5 – 60				
DVGW registration number	NW-6305BR0345					
Order no.	132 510	132 520	132 530	132 540	132 560	132 570

Pressure loss curve of Euro system separator GENO-DK 2



Item	Designation	Item	Designation
1	Differential pressure in bar	2	Flow rate in m³/h

Installation example



Item	Designation	Item	Designation
1	pureliQ-X drinking water filter series	2	Inlet shut-off valve
3	Draining valve	4	Outlet shut-off valve
5	Drain connection DN 50 acc. to DIN EN 1717		

Requirements for the installation site

Please observe local installation directives, general guidelines and technical specifications.

- Protection from frost and severe heat exposure
- Protection from chemicals, dyes, solvents and their vapours
- Ambient temperature and radiation temperature in the immediate vicinity $\leq 60\text{ °C}$
- Access for maintenance work (take required space into consideration)
- Sufficiently illuminated as well as aerated and ventilated
- Pipe with sufficient load-bearing capacity to support the operating weight of the product

Water installation

- Drinking water filter installed upstream
- Floor drain or safety device to prevent water damage
- Drain connection appropriate for the size of the system separator
- Shut-off valves upstream and downstream of the product
- Discharge valve in front of the product

Accessories

Service case to check the pressure zone as per W/TPW 135
Service kit
Order no.132 095

Contact

Grünbeck AG
Josef-Grünbeck-Str. 1
89420 Hoehchstaedt, Germany

☎ +49 (0)9074 41-0

☎ +49 (0)9074 41-100

info@gruenbeck.com
www.gruenbeck.com

