

## desaliQ inline filter module

### Intended use

The desaliQ inline filter module is intended for filtering and treating heating water during ongoing operation.

The desaliQ inline filter module is used in combination with a mixed bed cartridge desaliQ:MB9.

The desaliQ inline filter module can also be used in combination with a desaliQ resin bag.

The desaliQ inline filter module must **not** be used for filtering raw water that is to be used for drinking water.

### Function

The unfiltered heating water flows from the bottom through the inlet side of the cartridge and through the flow distributor. Then, the water containing the particles passes the magnetic rod. Magnetic particles such as iron particles/magnetite, etc. are attracted and removed from the heating water.

Afterwards, the water pre-cleaned in this way flows through the 6 filter elements.

By using the strap, the filter module can be easily removed from the mixed bed cartridge desaliQ:MB9.

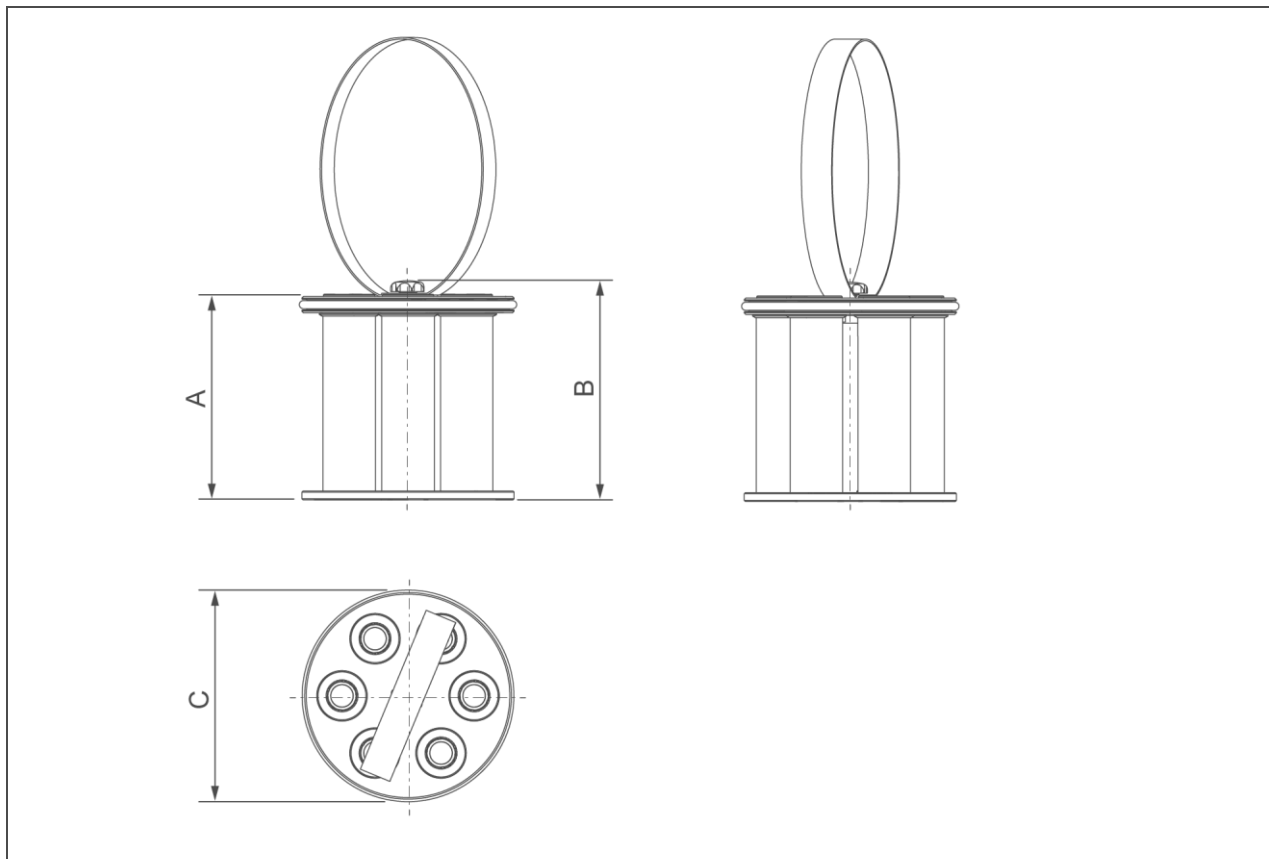
### Design

- Magnetic rod with easy-to-clean surface
- 6 Filter elements with a pore size of 5 µm
- Quick-acting lock for quick replacement of the filter elements
- The filter elements can be replaced without any tools
- All components are optimised for use in heating water with a maximum temperature of 65 °C.
- The metal parts are made of high-quality stainless steel

### Scope of supply

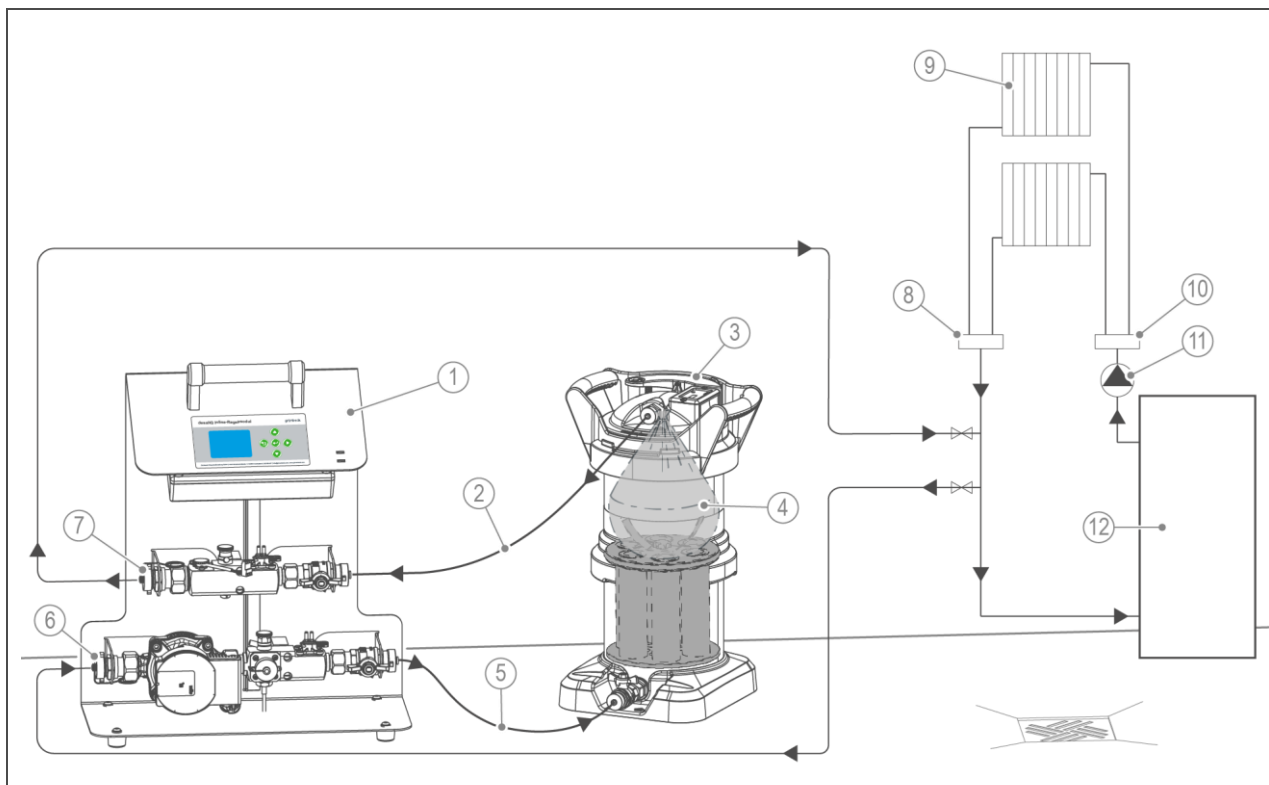
- Filter module completely pre-assembled with magnetic rod and filter elements
- Quick reference manual
- Operation manual

## Technical specifications



Dimensions and weights			
A	Height of filter module	mm	189
B	Height with screw plug	mm	201
C	Diameter	mm	198
	Number of magnetic rods	piece(s)	1
	Number of filter elements	piece(s)	6
	Pore size of filter elements	µm	5
	Shipping weight, approx.	kg	1.8
Performance data			
	Operating pressure	bar	≤ 4
	Flow at Δp 1 bar (in combination with desaliQ:MB9)	l/h	720
	Nominal flow (in combination with desaliQ:MB9)	m <sup>3</sup> /h	0.9
General data			
	Water temperature	°C	5 – 65
	Ambient temperature	°C	5 – 65
	<b>Order no.</b>		<b>707000010000</b>

## Installation example



Item	Designation	Item	Designation
1	desaliQ inline control module	2	Outlet of desaliQ:MB9 (filtered heating water)
3	Mixed bed cartridge desaliQ:MB9	4	desaliQ resin bag
5	Inlet to desaliQ:MB9 (heating water)	6	Connection from heating circuit
7	Connection to heating circuit	8	Return of heating circuit
9	Consumer	10	Supply of heating circuit
11	Circulation pump	12	Boiler

## Installation requirements

Obey the local installation directives, general guidelines and technical specifications.

The installation site must be frost-proof and protect the product from chemicals, dyes, solvents and their vapours.

## Accessories

### desaliQ inline filter elements

Order no. 707000020000

Consisting of 6 filter elements with a pore size of 5 µm

### desaliQ resin bags 2 x 6 l

Order no. 707 435

### Filling section thermaliQ:FB13i

Order no. 707 770

### desaliQ inline control module

Order no. 707000030000

For partial flow treatment of the heating circuit during heating operation

### desaliQ basic filling module

Order no. 707000050000

Tool for easy, quality-monitored filling of the heating system

### thermaliQ clean

Order no. 170 057 (1 l), 170 058 (5 l), 170 059 (10 l)

### thermaliQ safe

Order no. 170 076 (1 l), 170 077 (5 l), 170 078 (10 l)

## Contact

Grünbeck Wasseraufbereitung GmbH  
Josef-Grünbeck-Str. 1  
89420 Hoehstaedt  
GERMANY

☎ +49 9074 41-0

☎ +49 9074 41-100

✉ info@gruenbeck.com  
www.gruenbeck.com

