



Automatic filter pureliQ:AX

Intended use

The pureliQ:AX automatic filters are designed for the filtration of drinking water.

The pureliQ:AX automatic filters are designed according to the stipulations of DIN EN 13443-1 and DIN 19628 and are intended for installing into the drinking water installation according to DIN EN 806-2 (installation immediately downstream from the water meter).

They protect the water pipes and connected water-carrying system parts from malfunctions and corrosion damage due to undissolved impurities (particles) such as rust particles, sand, etc.

Designated application

The filters can be used for positive and negative pressure applications. However, a backwash only functions if the filter is used in the pressure range.

The filters can only be used in combination with the cliQlock module system.

The filters are not suitable for circulation water that is treated with chemicals.

The filters are neither suitable for oils, greases, solvents, soaps and other lubricating media, nor for the separation of water-soluble substances.



Mode of operation

The unfiltered drinking water flows into the filter through the inlet side and from the outside in through the filter element and to the pure water outlet. Thus, foreign particles of > 100 µm in size are retained.

Depending on their size and weight, the foreign particles either stick to the filter element or they fall straight down into the filter cylinder.

The controller automatically releases the backwash as per the set-

ting. Backwash intervals of 7, 30, 60 and 90 days can be set.

A backwash can be initiated manually at any time. The drain is opened by triggering a backwash. The water flows through the primary screen to the filter element and then flows through the filter element in the reverse direction to normal filtration. Particles sticking to the filter element are detached and washed out to the drain.

Structure

- Cover to protect the filter cylinder and filter element
- Inspection window to determine the degree of impurities in the filter element
- Filter head made of pressure-resistant plastic with interval indicator for backwashing
- Filter element made of stainless steel mesh
- Automatic drive
- Flexible drain connection with free outlet

Scope of supply

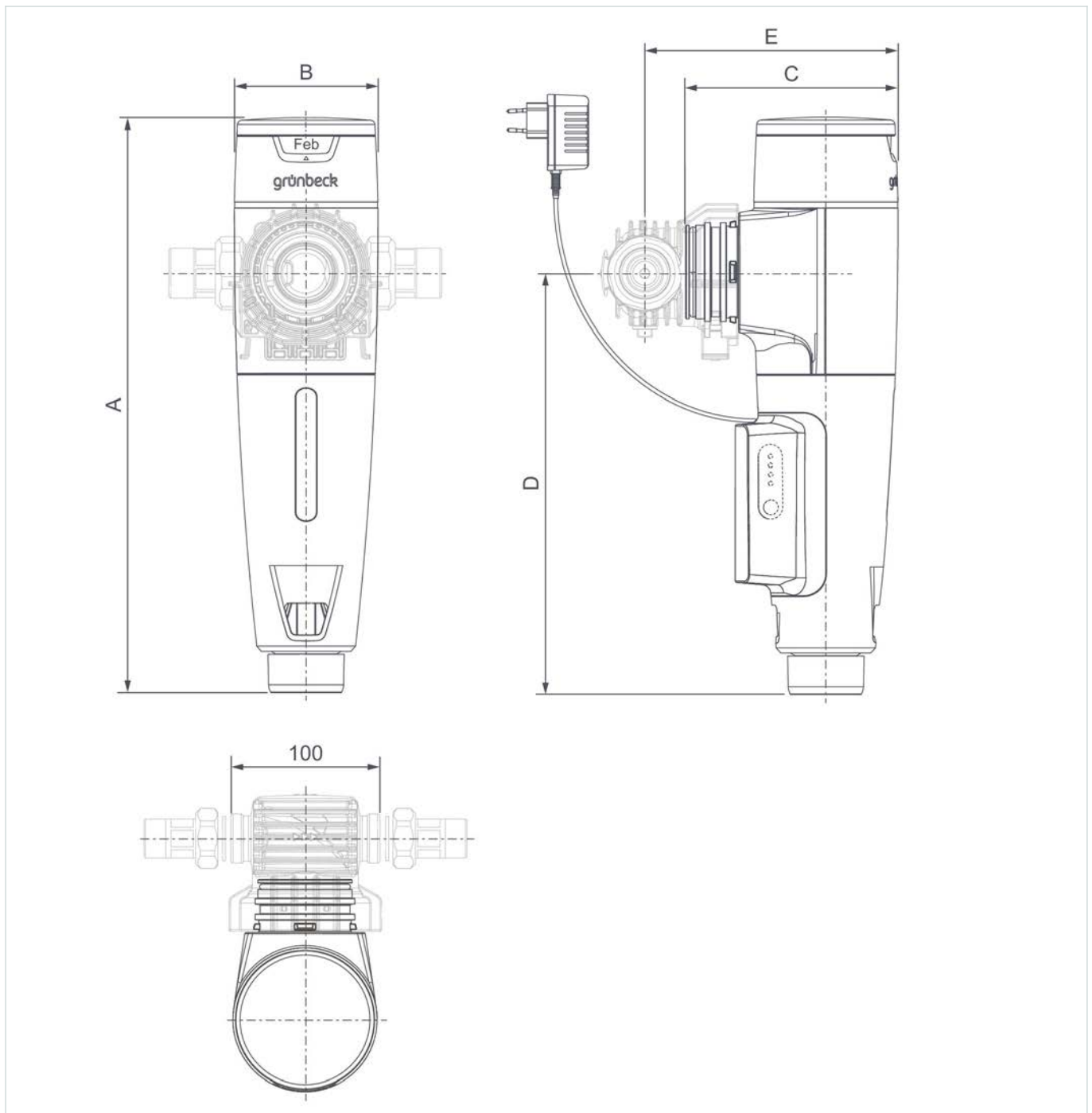
- Automatic filter pureliQ
- 100 µm filter element
- Plug-in power supply unit with 1.5 m mains cable
- Installation and connection material

Not included in scope of supply

- cliQlock basic module



Technical specifications



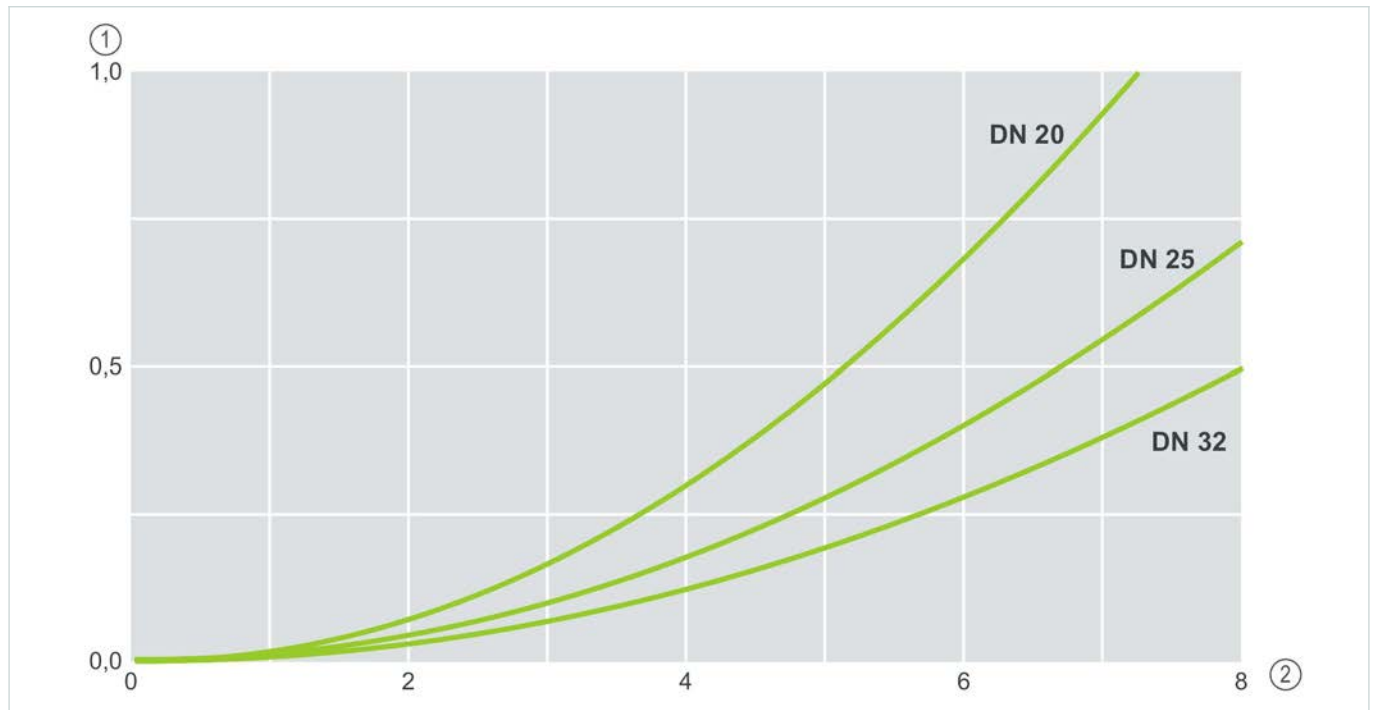
| Dimensions and weights | | | AX (DN 20) | AX (DN 25) | AX (DN 32) |
|------------------------|-------------------|----|------------|------------|------------|
| A | Height | mm | 385 | 385 | 385 |
| B | Width | mm | 96 | 96 | 96 |
| C | Depth | mm | 145 | 145 | 145 |
| D | Height connection | mm | 285 | 285 | 285 |
| E | Depth connection | mm | 170 | 170 | 170 |
| Operating weight | | | kg | 1,5 | 1,5 |



| Connection data with cliQlock basic module | | Automatic filter pureliQ:AX | | |
|---|------|-----------------------------|---------------------|---------------------|
| Nominal diameter | | DN 20 | DN 25 | DN 32 |
| Connection diameter | | ¾" | 1" | 1 ¼" |
| Connection data | | AX (DN 20) | AX (DN 25) | AX (DN 32) |
| Mains connection voltage | VAC | 100 - 240 | 100 - 240 | 100 - 240 |
| Mains connection frequency | Hz | 50/60 | 50/60 | 50/60 |
| Electrical power input operation | W | 2 | 2 | 2 |
| Power input in standby | W | ≤ 0,08 | ≤ 0,08 | ≤ 0,08 |
| Protection | | IP42 | IP42 | IP42 |
| Protection class | | II | II | II |
| Performance data | | AX (DN 20) | AX (DN 25) | AX (DN 32) |
| Nominal flow at Δp 0.2 bar | m³/h | 3,2 | 4,2 | 5,0 |
| Nominal flow at Δp 0.5 bar | m³/h | 5,1 | 6,7 | 8,0 |
| KV value | m³/h | 7,2 | 9,5 | 11,3 |
| Pore size | µm | 100 | 100 | 100 |
| Lower and upper filtration fineness | µm | 80 - 120 | 80 - 120 | 80 - 120 |
| Nominal pressure | | PN 16 | PN 16 | PN 16 |
| Operating pressure | bar | 2 - 16 | 2 - 16 | 2 - 16 |
| Certificates | | AX (DN 20) | AX (DN 25) | AX (DN 32) |
| Registration num DIN/DVGW | | | NW-9301CT0031 | |
| General data | | AX (DN 20) | AX (DN 25) | AX (DN 32) |
| Media temperature | °C | 5 - 30 | 5 - 30 | 5 - 30 |
| Ambient temperature | °C | 5 - 40 | 5 - 40 | 5 - 40 |
| Backwash water volume at an inlet pressure of 4 bar | l | ≤ 14 | ≤ 14 | ≤ 14 |
| Order no. | | 101000050000 | 101000050000 | 101000050000 |

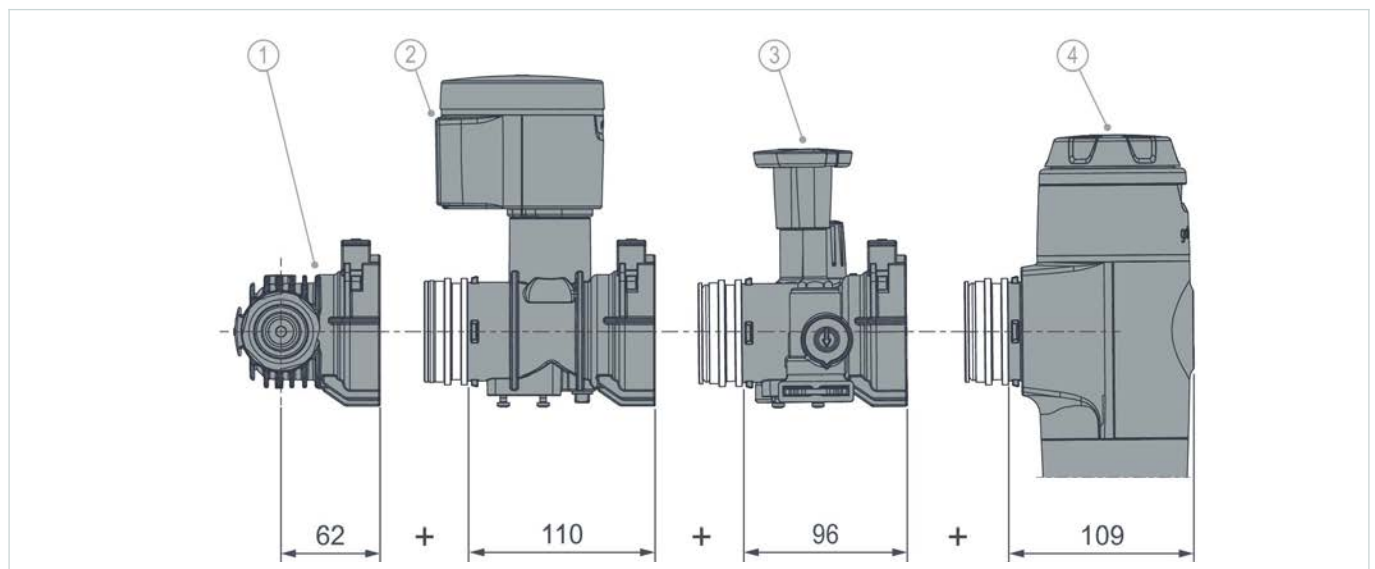


Pressure loss curve



| Designation | Designation |
|--------------------------------|---------------------|
| 1 Differential pressure in bar | 2 Flow rate in m³/h |

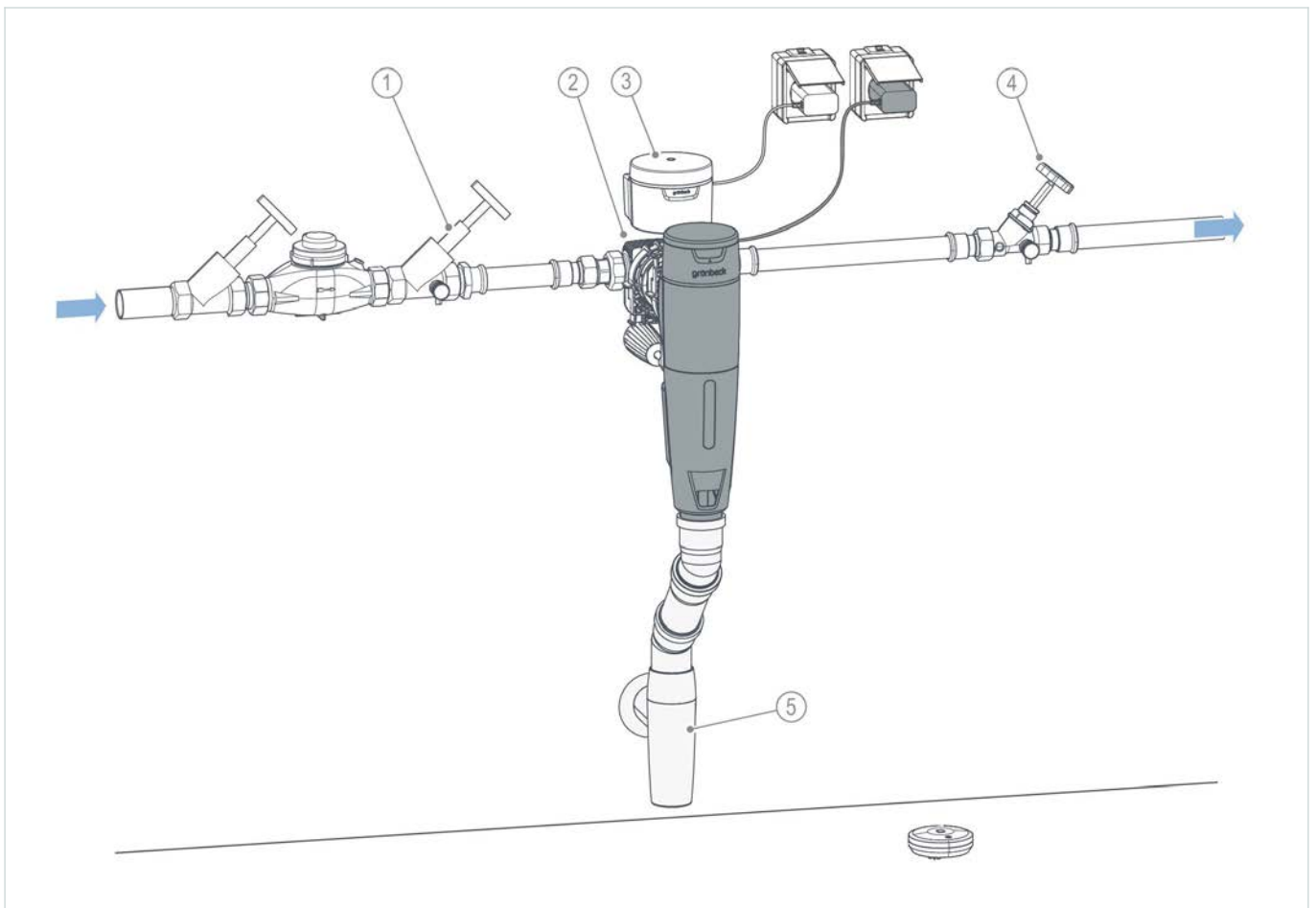
Modular cliQlock system setup dimensions



| Designation | Designation |
|-----------------------------------|--|
| 1 cliQlock basic module | 3 cliQlock connection module (softliQ) |
| 2 Leakage protection protectliQ:B | 4 pureliQ X drinking water filter series |



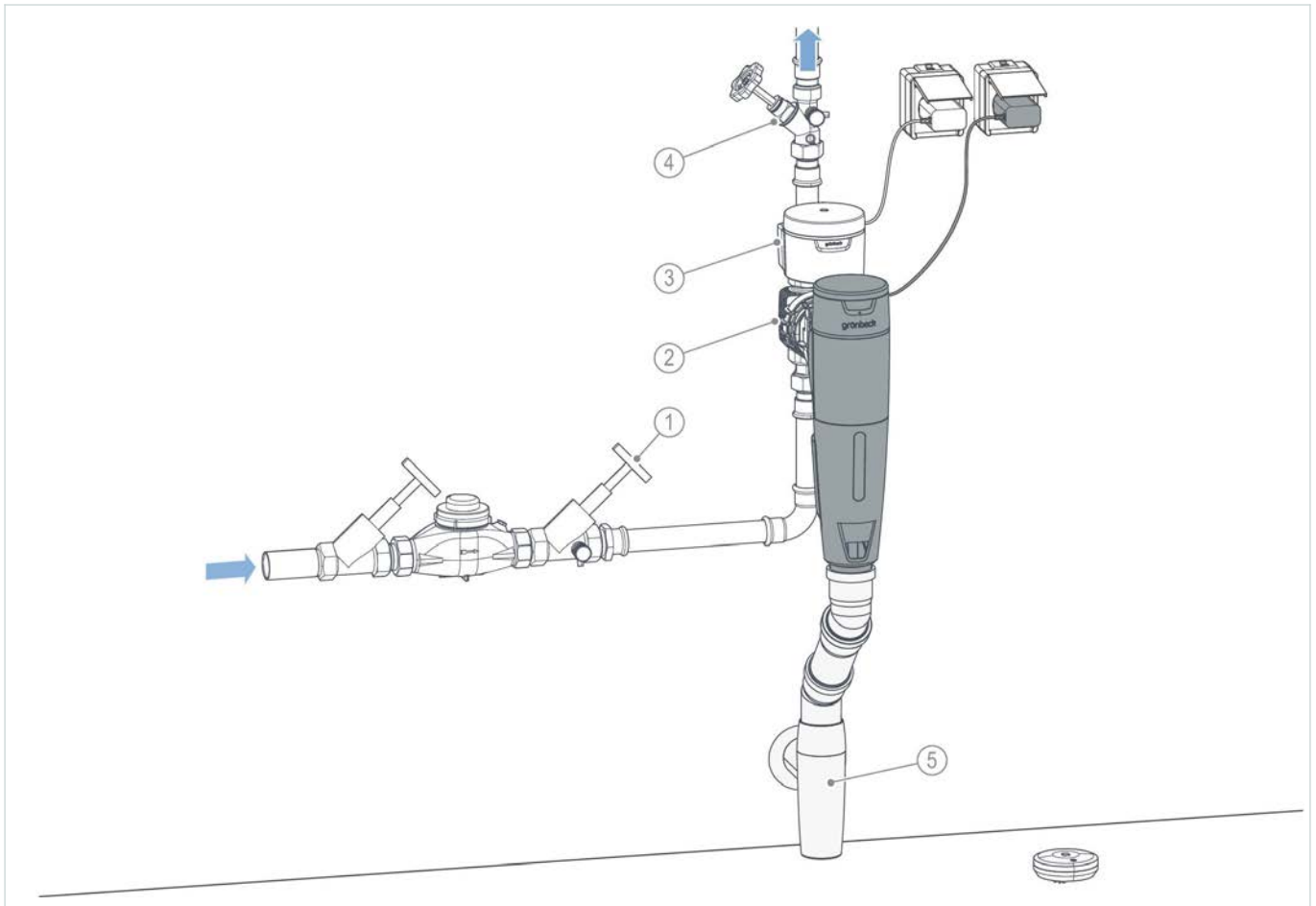
Installation example



| Designation | Designation |
|-----------------------------------|--|
| 1 Input shut-off valve | 4 Output shut-off valve |
| 2 cliQlock basic module | 5 Drain connection DN 50 acc. to DIN EN 1717 |
| 3 Leakage protection protectliQ:B | |



Installation example



| Designation | Designation |
|-----------------------------------|--|
| 1 Input shut-off valve | 4 Output shut-off valve |
| 2 cliQlock basic module | 5 Drain connection DN 50 acc. to DIN EN 1717 |
| 3 Leakage protection protectliQ:B | |

Requirements for the installation site

Obey the local installation directives, general guidelines and technical specifications.

- Protection from frost, severe heat exposure and direct sunlight
- Protection from chemicals, dyes, solvents and their vapours
- Ambient temperature and radiation temperature in the immediate vicinity
 - ≤ 25 °C for applications in the drinking water sector
 - ≤ 40 °C for purely technical applications
- Protection from heat sources (e. .g. heating systems, boilers and hot water pipes)
- Access for maintenance work (take required space into consideration)

- Sufficiently illuminated as well as aerated and ventilated
- Pipe with sufficient load-bearing capacity to support the operating weight of the product

Water installation

- Floor drain or corresponding safety device with water stop function (e. g. leakage protection protectliQ:B)
- Shut-off valves upstream and downstream of the product
- Drain connection ≥ DN 50





Electrical installation

- Schuko socket (type F, CEE 7/3) with continuous power supply (max. 1.2 m from the control unit). The socket must not be coupled with light switches, emergency heating switches or the like.






Accessories

Availability may vary depending on the country.

| | AX (DN 20) | AX (DN 25) | AX (DN 32) |
|--|------------|------------|------------|
|  <p>cliQlock basic module DN 20 Order no.: 101000070000 for installing the modular cliQlock system into the drinking water system</p> | ✓ | – | – |
|  <p>cliQlock basic module DN 25 Order no.: 101000080000 for installing the modular cliQlock system into the drinking water system</p> | – | ✓ | – |
|  <p>cliQlock basic module DN 32 Order no.: 101000090000 for installing the modular cliQlock system into the drinking water system</p> | – | – | ✓ |
|  <p>Drain connection DN 50 acc. to DIN EN 1717 Order no.: 188875 For small-scale water softeners, backwash filters and system separators</p> | ✓ | ✓ | ✓ |

Recommended products


Availability may vary depending on the country.

| | AX (DN 20) | AX (DN 25) | AX (DN 32) |
|--|------------|------------|------------|
|  <p>Dosing system exaliQ:KC6 Order no.: 117400 for volume-based dosing of exaliQ mineral solutions into the drinking and industrial water pipes</p> | ✓ | ✓ | ✓ |
|  <p>Dosing system exaliQ:SC6 Order no.: 117405 for volume-based dosing of exaliQ mineral solutions into the drinking and industrial water pipes</p> | ✓ | ✓ | ✓ |
|  <p>Water softener softliQ:SE21 Order no.: 189000030000 Single water softener for the softening and partial softening of drinking water.</p> | ✓ | ✓ | ✓ |



Recommended products

Availability may vary depending on the country.

| | AX (DN 20) | AX (DN 25) | AX (DN 32) |
|--|------------|------------|------------|
|  <p>Leakage protection protectliQ:B Order no.: 126000010000 Continuously monitors critical areas in wet rooms, e. g. kitchens, bathrooms, laundry rooms, etc., and protects rooms and their furnishings from water damage</p> | ✓ | ✓ | ✓ |

