

**Filling group  
thermaliQ:SB13**

### Intended use

The filling group is designed for the safe connection of a heating system to the drinking water system in compliance with the standards.

The filling group thermaliQ:SB13 secures the drinking water against water flowing back from the heating circuit.

The pressure reducer of the filling group thermaliQ:SB13 regulates the filling pressure.

### Function

The integrated system separator BA as per DIN EN 12729 protects the drinking water from impurities up to category 4 (heating water as per DIN EN 1717).

The integrated pressure reducer ensures constant pressure.

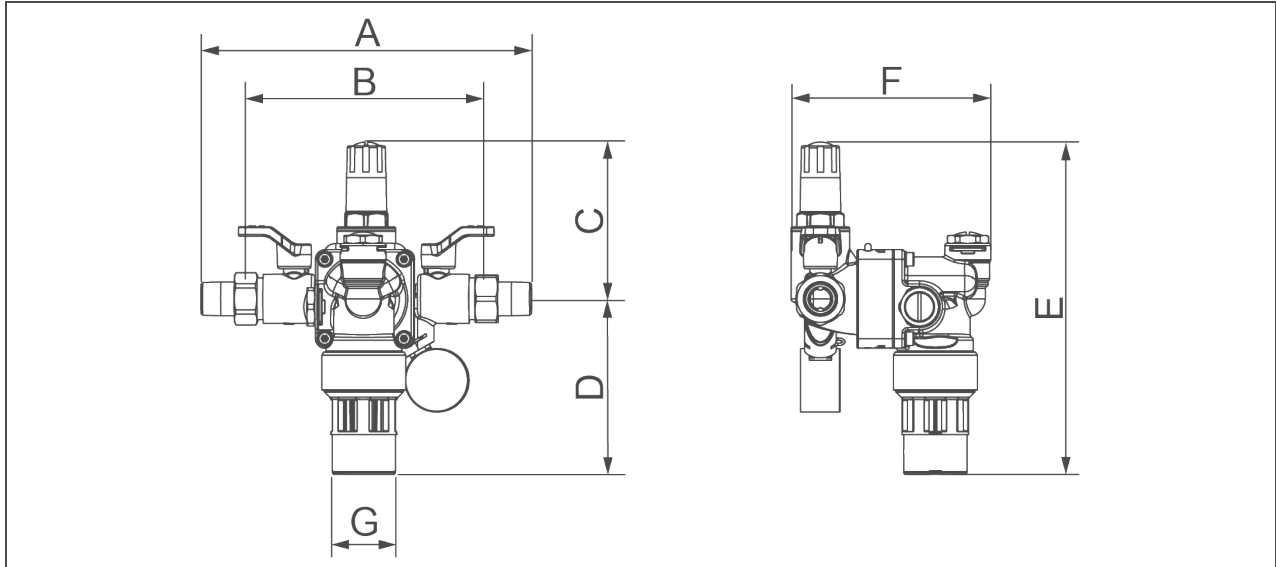
### Design

- Shut-off valve
- Dirt trap
- System separator
- Pressure reducer
- Pressure gauge
- Shut-off valve

### Scope of supply

- Filling group, completely pre-assembled
- Screw connection
- Operation manual

## Technical specifications



### Dimensions and weights

A	Installation length with screw connection	[mm]	208
B	Installation length without screw connection	[mm]	152
C	Height above centre of pipe connection	[mm]	99
D	Height below centre of pipe connection	[mm]	110
E	Total height	[mm]	209
F	Depth	[mm]	105
G	Drain connection	[mm]	40
	Operating weight, approx.	[kg]	1.5
	Shipping weight, approx.	[kg]	1.7

### Connection data

Nominal connection diameter	DN 15 (G 1/2 ")
-----------------------------	-----------------

### Performance data

Max. operating pressure	[bar]	10
Setting range	[bar]	0.5 - 4
Filling capacity at 1.5 bar	[m³/h]	1.3

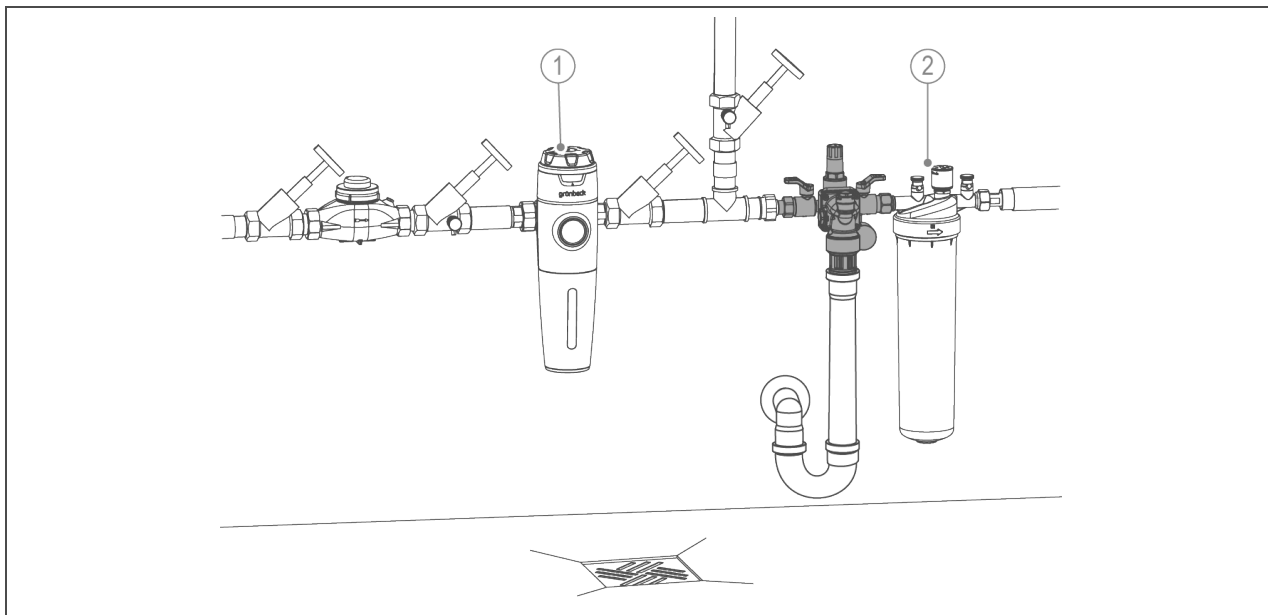
### General Data

Water temperature	[°C]	5 - 30
Ambient temperature	[°C]	5 - 40

### Order no.

**707 750**

## Installation example



Item	Designation	Item	Designation
1	Drinking water filter pureliQ:KD	2	Treatment group thermalIQ:HB2

### Installation requirements

Observe local installation directives, general guidelines and technical specifications. The installation site must be frost-proof and ensure the product's protection from chemicals, dyes, solvents and vapours.

The installation room must be provided with a floor drain. If no floor drain is available, an appropriate safety device has to be installed to prevent water damage.

A drinking water filter must be installed upstream of the product.

### Service kit

#### Order no. 132 095

Service kit to maintain system separators.

### Treatment group

#### thermalIQ:HB2

#### Order no. 707 755

The treatment group is designed for the full demineralisation of raw water for the initial filling or make-up water feed of heating systems.

### Contact

Grünbeck Wasseraufbereitung GmbH  
Josef-Grünbeck-Str. 1  
89420 Hoehstaedt a. d. Donau  
GERMANY

☎ +49 9074 41-0

☎ +49 9074 41-100

✉ info@gruenbeck.com  
www.gruenbeck.com



### Accessories

#### Fine filter pureliQ:KD20

#### Order no. 101 270

The fine filter pureliQ:K filters the drinking water and protects the domestic water system as per DIN EN 806.

#### protectliQ safety device

#### Order no. 126 400

The protectliQ safety device is a product to protect against water damage in single and two-family homes.