



thermaliQ filling pump

Intended use

The thermaliQ filling pump is designed to inject the dosing solution for heating protection thermaliQ safe and the cleaning agent for heating systems thermaliQ clean into a heating circuit.

The thermaliQ filling pump is **not** to be used to deliver combustible and acid liquids.

Function

The thermaliQ filling pump can directly be screwed onto the canisters with 5 l or 10 l content.

The connection to the heating system is made by means of a KFE boiler fill and drain fitting.

After plugging in the mains plug, the pump is ready for operation.

The pump is switched on and off by means of a switch at the pump's top surface.

The thermaliQ filling pump is delivered in a case to ensure easy transportation.

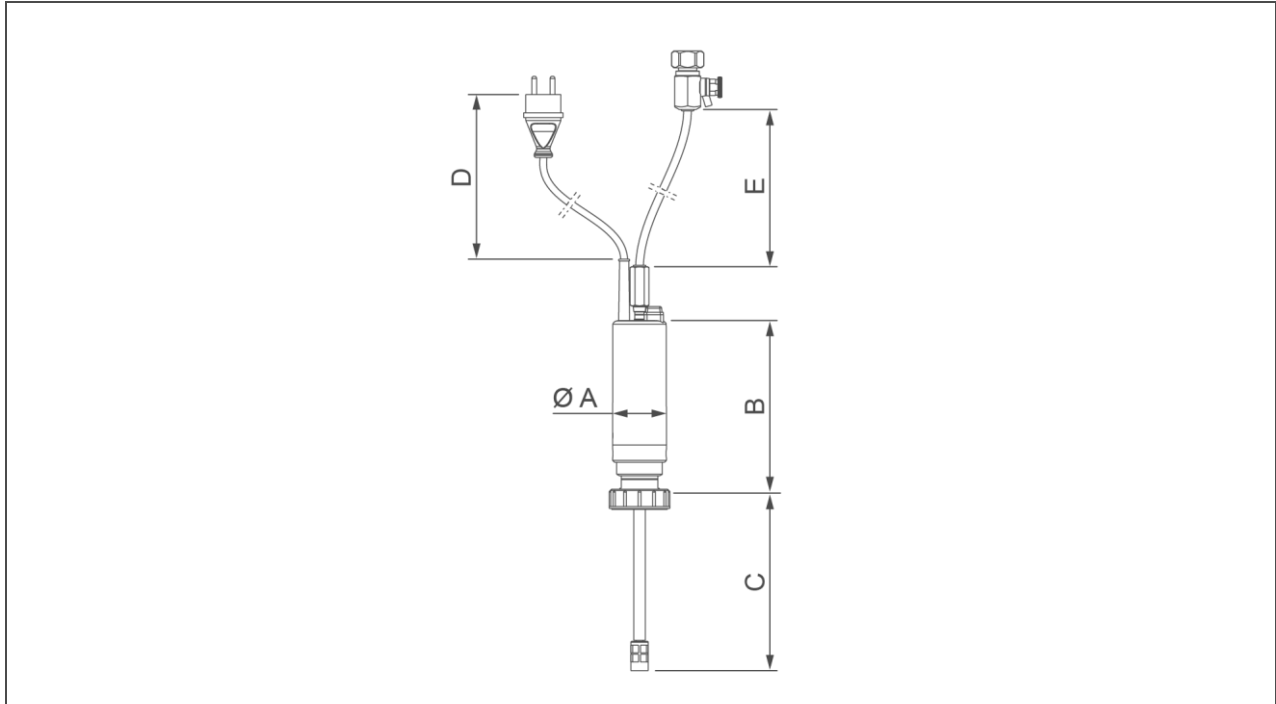
Design

- thermaliQ filling pump with closing lid for canister
- PVC suction hose with dirt strainer
- Mains cable with Schuko mains plug

Scope of supply

- thermaliQ filling pump in transport case (450 x 160 x 123 mm)
- KFE boiler fill and drain fitting with non-return valve and vent valve
- Delivery hose, 2 m in length
- Closing lid no. 51
- Closing lid no. Nr. 61
- Operation manual

Technical specifications I



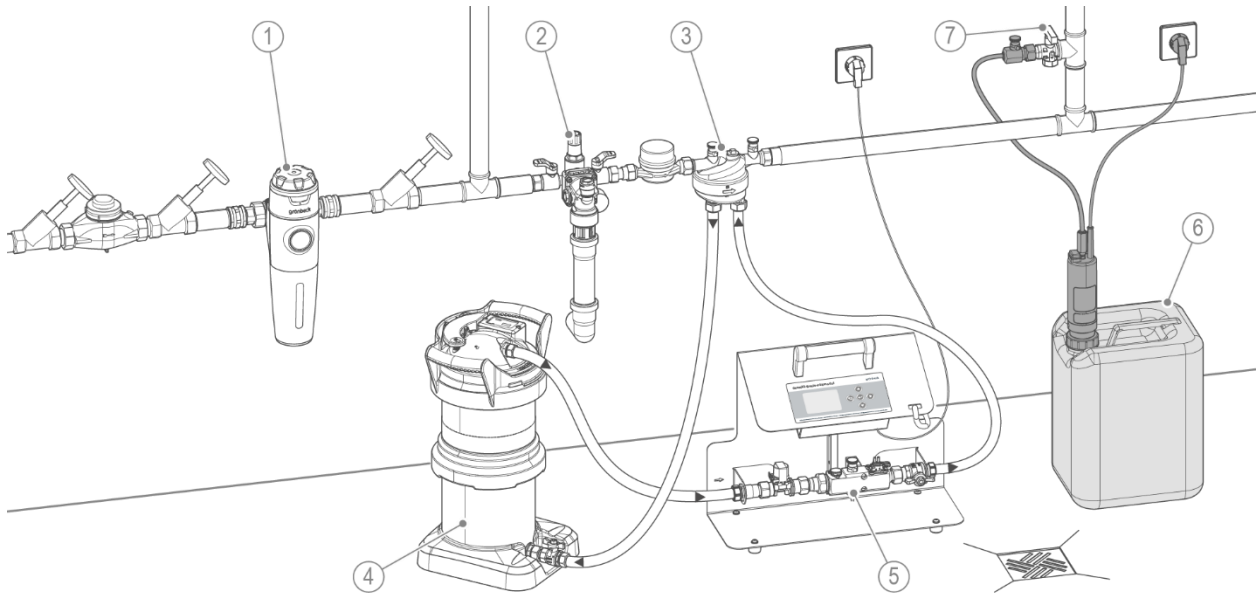
Dimensions and weights			
A	Diameter of filling pump	mm	56
B	Height of filling pump	mm	190
C	Length of suction hose	mm	400
D	Length of mains cable	mm	2000
E	Length of delivery hose	mm	2000
	Operating weight	kg	~ 1.5
	Shipping weight	kg	~ 3.5

Connection data			
Connection			DN 20 (G ¾")
Hose connection	mm		6
Power supply	V~/Hz		230/50
Protection			IP64

Performance data			
Delivery rate	l/h		≤ 100
Delivery head	m		≤ 5.4
Dynamic pressure	bar		8.8

General			
Operating temperature	°C		≤ 30
Ambient temperature	°C		≤ 40
Order no.			150 110

Installation example



Item	Designation	Item	Designation
1	Drinking water filter, e.g. pureliQ	2	Euro system separator according to DIN EN 1717 or filling section thermaliQ:FB13i
3	Filling adapter	4	Mixed bed cartridge desaliQ:MB9
5	desaliQ basic filling module	6	Dosing solution for heating protection thermaliQ safe or cleaning agent for heating system thermaliQ clean
7	KFE boiler fill and drain shut-off valve		

Installation requirements

Observe local installation directives, general guidelines and technical specifications.

The installation site must be frost-proof and protect the product from direct sunlight, chemicals, dyes, solvents and their vapours.

For the electrical connection, a Schuko socket is required.

The installation room must have a floor drain. If no floor drain is available, a corresponding safety device must be installed.

Accessories

thermaliQ safe

Dosing solution for heating protection

Order no.: 170 076	1 l
Order no.: 170 077	5 l
Order no.: 170 078	10 l

thermaliQ clean

Cleaning agent for heating systems

Order no.: 170 057	1 l
Order no.: 170 058	5 l
Order no.: 170 059	10 l

thermaliQ safe test kit

Order no.: 170 504

To determine the concentration of the inhibitor

Contact

Grünbeck Wasseraufbereitung GmbH
 Josef-Grünbeck-Str. 1
 89420 Hoehstaedt
 GERMANY

☎ +49 9074 41-0

☎ +49 9074 41-100

info@gruenbeck.com
 www.gruenbeck.com

