

**Dosing system:  
exaliQ:KC6/exaliQ:KC6-e**

### Intended use

The dosing system exaliQ:SC6 and SC6-e is designed for adding exaliQ mineral-based solutions to drinking and service water pipes of 1-10 family buildings in proportion to quantity.

The mineral substances protect the water pipes and the connected water carrying system components (fittings, devices, operating equipment, household appliances, boilers, etc.) from malfunctions and damage due to scale deposits and/or corrosion.

### Function

The dosing system exaliQ:KC6 measures the amount of water flowing through by means of a contact water meter with pulse generator and thus determines the dosing volume of the mineral-based solutions.

The dosing system exaliQ:KC6-e receives the dosing signal from the softening system via an iQ-Comfort communication interface.

The mineral-based solution is sucked out of the dosing tank via a suction lance and added to the water.

An electronic level monitor switches the pump off when the dosing tank is empty. This provides dry-run protection for the pump.

The operating state of the dosing system is indicated on the operating panel by LED lights.

The green illuminated LED ring indicates the current status of the system as an optical signal.

The self-monitoring system of the electronics prevents inadmissible overdosing in the event of malfunctions by switching off the pump.

Data is stored for up to 12 months and is overwritten after a certain length of time; it can be read out via an integrated USB interface. The readout data can be printed out in the form of a table.

In this way, the weekly recording obligation in accordance with the German Drinking Water Ordinance (TrinkwV) can be fulfilled in the commercial sector.

### Structure

- Contact water meter as turbine water meter with Hall pulse sensor and dosing point with non-return valve (horizontal installation recommended)
- Attachment for mounting on the water meter or on the wall (horizontal or vertical)
- Round exaliQ housing cover with operating panel and illuminated LED ring
- Swivel door with integrated electronic control unit and USB interface
- Dosing tank as 3 litre bottle with bayonet lock
- Power supply via plug-in power supply 24 V
- Suction lance with contacts

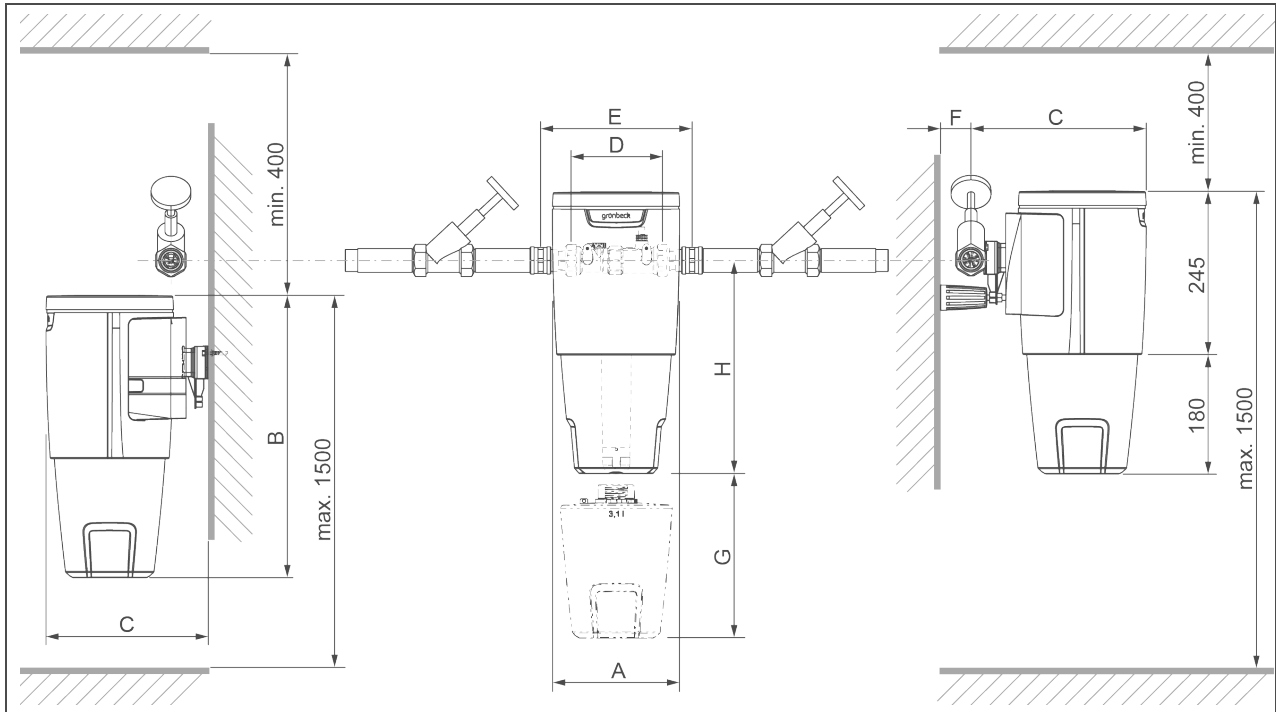
### Scope of supply

- with exaliQ:KC6:  
Contact water meter with water meter screw connections, approx. 1.5 m long pulse cable with Hall impulse sensor; dosing point with non-return valve
- with exaliQ:KC6-e:  
Use of the softliQ fitting with integrated dosing point iQ-Comfort cable, to connect the dosing system with the softening unit softliQ:SD/MD from Model softliQ:SD21
- Dosing unit with pre-assembled dosing line
- Dosing valve
- Attachment with spacer
- Fastening material for attachment on contact water meter or wall surface
- Plug-in power supply 24 V with 1.9 m cable length
- Operation manual

### Not included in scope of supply

- Dosing tank (3 l) with exaliQ mineral-based solution

## Technical specifications I



Dimensions and weights		exaliQ:KC6	exaliQ:KC6-e
A System width	[mm]	195	
B System height	[mm]	425	
C System depth (water meter mounting)	[mm]	265	—
C System depth (wall mounting)	[mm]	245	
D Installation length without screw connection	[mm]	140	Wall mounting
E Installation length with screw connection	[mm]	222	Wall mounting
F Min. distance from wall to centre of pipe	[mm]	55	—
G Required length for replacement approx.	[mm]	200	
A Installation height up to centre of connection approx.	[mm]	315	
Operating weight/shipping weight approx.	[kg]	8.9/5.7	7.8/4.6

Connection data		exaliQ:KC6	exaliQ:KC6-e
Nominal connection diameter		DN 25 (1")	
Type of contact/dosing signal		Hall impulse	iQ-Comfort
Protection/protection class		IP 43/▣	
Rated voltage range	[V]	100 – 240	
Rated frequency	[Hz]	50 – 60	
Electrical power input (standby)	[W]	3	
Electrical power input (operation = max.)	[W]	14	
Plant operation (safety extra-low voltage)	[V]	24	

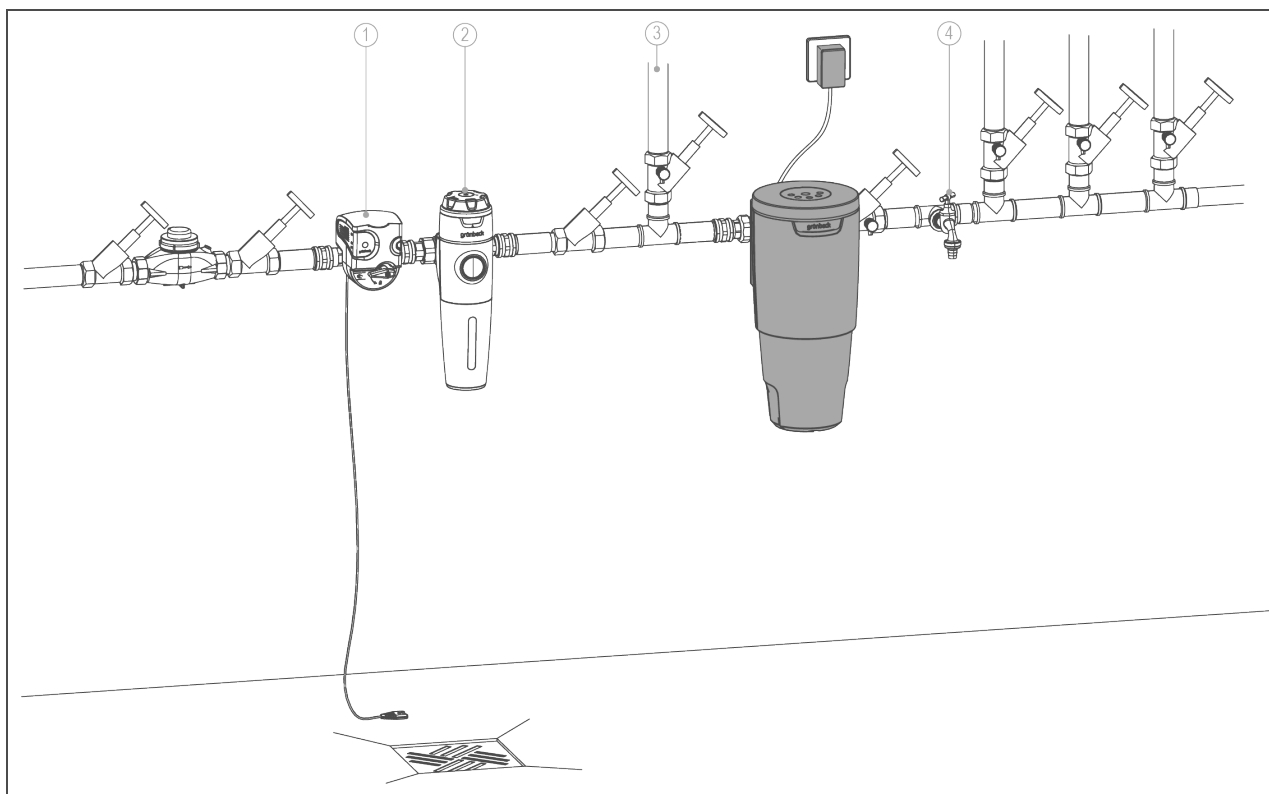
## Technical specifications II

Performance data		exaliQ:KC6	exaliQ:KC6-e
Operating range max. (short-term peak flow rates)	[m <sup>3</sup> /h]	6	see softliQ:SD/MD
Nominal pressure			PN 10
Rated pressure	[MPa] [bar]		1.0/10
Pressure loss at max. flow	[bar]	0.25	see softliQ:SD/MD
Tank volume	[l]		3
Dosing sequence	[l/pulse]		0.33
Noise emission	[dB(A)]		≤ 70

Consumption data		exaliQ:KC6	exaliQ:KC6-e
exaliQ mineral substances (exaliQ neutra must not be dosed with exaliQ:KC6-e)	[ml/m <sup>3</sup> ]		100

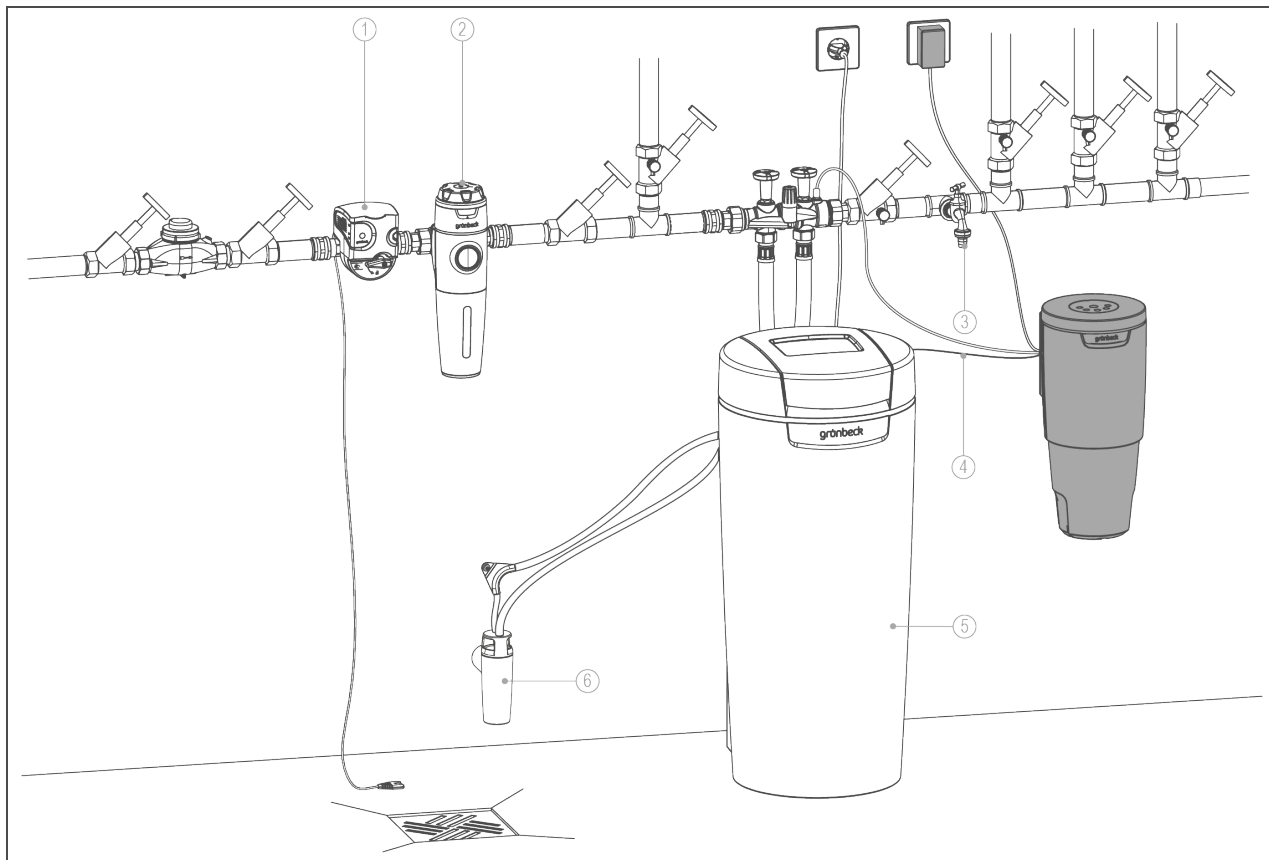
General data		exaliQ:KC6	exaliQ:KC6-e
Max. drinking water temperature	[°C]		25
Water/ambient temperature	[°C]		5 – 30/5 – 40
Max. humidity of air (non-condensing)	[%]		90
DVGW registration number			Test pending
Order no.		117 400	117 460

### Installation example exaliQ:KC6 (stand-alone)



Item	Designation	Item	Designation
1	Safety device protectliQ	2	Drinking water filter pureliQ
3	Garden water pipe	4	Water withdrawal point

### Installation example exaliQ:KC6-e (in combination with water softener softliQ:SD/MD)



Item	Designation	Item	Designation
1	Safety device protectliQ	2	Drinking water filter pureliQ
3	Water withdrawal point	4	iQ-Comfort connection
5	Water softener softliQ:SD from SD21 & softliQ:MD	6	Drain connection DN 50 acc. to DIN EN 1717

#### Installation requirements

Observe local installation directives, general guidelines and technical specifications. The installation site must be frost-proof and ensure the system's protection from chemicals, dyes, solvents and vapours.

Always install a drinking water filter and, if required, a pressure reducer (e.g. fine filter pureliQ:KD) upstream of the system. A shock-proof socket is required within a distance of approx. 1.2 m of the system.

The installation site must be provided with a floor drain. If this is not available, an appropriate safety device protectliQ or a protection device with water stop of the same quality must be installed to prevent water damage.

#### Accessories

##### Conversion kit exaliQ:KC6 to exaliQ:SC6 Order no. 117 495

(for conversion from 3 litre bottle to 15 litre stackable canister)

includes:

- Suction lance for 15 L canister
- Adapter for pump connection

#### Consumables

##### exaliQ mineral-based solution 2x 3 litre bottle

exaliQ control	114 031
exaliQ safe	114 032
exaliQ safe+	114 033
exaliQ pure	114 034
exaliQ neutra*	114 035*

#### Contact

Grünbeck Wasseraufbereitung GmbH  
Josef-Grünbeck-Str. 1  
89420 Hoechststaedt  
Germany

+49 9074 41-0

+49 9074 41-100

info@gruenbeck.com  
www.gruenbeck.com



\* Can only be used for exaliQ:KC6