

GENODOS® Dosing Systems DM 6, DM 10, DM 20, DM 30, DM 80, DM 100

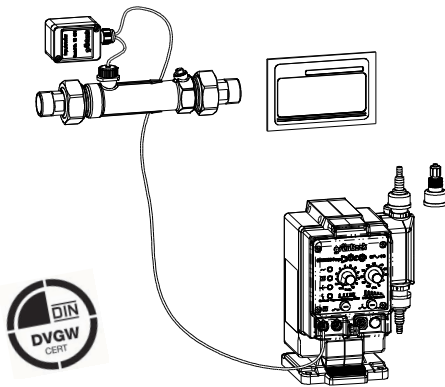


Fig. 1: Dosing system DM

Designated application

The GENODOS® dosing systems DM are designed for the dosing of EXADOS®-agents in the field of drinking and process water. They protect the water pipes and the connected water carrying system components (fittings, devices, operating equipment, boilers, production systems, etc.) from malfunctions and damage due to scale deposits and/or corrosion.

Note: Prior to using a dosing system, the composition of the water must be known.

Function

When water is withdrawn, a water meter measures the water volume flowing through and then - according to the pulse interval of the water meter - transmits the control pulses to the electronics of the dosing pump.

The electronic controls the dosing pump. Thanks to the volume-controlled dosing of the active agent, a constant drinking water quality can be ensured. By means of a suction lance with integrated empty signal, the EXADOS®-solution is sucked directly from the disposable canister.

By means of the dosing pump, the sucked in active dosing solution is delivered into the drinking water pipe via the dosing line and the dosing valve.

The electric level monitoring visually indicates the required replacement of the canister by means of the yellow LED on the control electronics and automatically stops the operation of the pump.

Installation requirements

The installation site must be frost-proof and ensure the system's protection from chemicals, dyes, solvents and vapours. The ambient temperature should not exceed max. 30 °C. For the power supply, a separate socket (230V /50/ 60Hz) within a range of approx. 1.5 m from the system is required.

The DM dosing systems are DVGW-certified and can be installed without any additional safety devices (system separator, large pipe loop).

Start-up

Prior to start-up, check whether the system (as well as the accessories* not included in the scope of supply) is tight and installed properly. The dosing system comes pre-assembled.

Dosing pump

Fasten the pump on the slip-on pump foot at a max. height of 1.5 m (in case of agents and density of 1.0 g/ml) above the tank bottom (preferably as low as possible, however).

Empty signal (suction lance)

When using a suction lance with integrated empty signal, the connector of the empty signal at the suction lance has to be connected to the corresponding input at the pump.

External activator (e. g. contact water meter)

When using an external activator, the control cable (red plug) has to be connected to the corresponding input at the dosing pump. The frequency switch of the dosing pump must be set to "EXTERNAL".

Dosing agent

Install the dosing line to the dosing point safely and without any bends (accessories). The dosing valve must be placed in a way, that a shut-off feature is available upstream and downstream of the valve.

The dosing system must be supplied with a mains voltage of 230 V / 50/60 Hz.

The dosing pump is set to and leaded at a dosing volume of 100 ml of EXADOS®-solution per m³ of water.

Note: Only use EXADOS®-solutions by Grünbeck.

As an alternative for the DM dosing system DM refer to the complete version DME; product data sheet D 29.

Scope of supply

Dosing system consisting of: Self-priming and continuously adjustable membrane dosing pump, self-deaerating against pressure, synchronous motor 230 V / 50/60 Hz, with connection options for empty signal, external activator and voltage-free fault signal output.

Order no. - Please inquire

Contact water meter with pulse cable to GENODOS®-pump.

Order no. - Please inquire

Hose connection set 2/4 or 4/6 for DM 80/100

Order no. - Please inquire

Accessories*

Also refer to technical information "Accessories for GENODOS®-pumps"

Order no. 118 950

Technical specifications/Dimensions		GENODOS® dosing system					
		DM 6	DM 10	DM 20	DM 30	DM 80	DM 100
System type							
Connection data							
Nominal connection diameter of water meter		R 1" DN 25	R 1 ¼" DN 32	R 1 ½" DN 40	R 2" DN 50	DN 80	DN 100
Power supply		230 V / 50/60 Hz / 18/21 W					
Protection / protection class		IP 54/I					
Performance data							
Operating range	[m³/h]	0.04 up to 6	0.04 up to 10	0.05 up to 20	0.1 up to 30	0.1 up to 80	0.1 up to 100
Pressure loss at nominal capacity	[bar]	0.5	0.8		0.6		0.8
Dosing sequence (GP-pump)	[l]	1	2.5	4.7	6.7	11.4	
Pulse sequence (water meter)	l/pulse	0.33	0.5	0.93	1.33	3.8	
Nominal design pressure	[MPa]	1					
Max. working pressure	[MPa]	1		0.8		0.6	
Max. operating pressure	[bar]	10		8		6	
Dimensions and weights							
Installation length without screw connection	[mm]	190		240		-	-
Installation length with screw connection	[mm]	276	280	312	356	-	-
Installation length with flange connection	[mm]	-	-	-	-	310	
GENODOS®-pump							
GENODOS®-pump GP		1/40	2/40	6/40		10/40	
Position pulse division factor	[T]	1	2		1		
Max. suction height		1.5 mWC (based on water of 20°C)					
Test certificate/Certification mark							
DVGW registration number		NW-9101CM0334					
Ambient data							
Ambient temperature		5 - 30 °C					
Suitable active dosing solution		EXADOS®-agent					
Order no.		163 145	163 155	163 165	163 175	163 185	163 195

The dosing pumps are set to and leaded at 100 ml of active dosing solution per m³ of water at 5 bar counter-pressure.

Mounting example GENODOS® dosing system DM 6

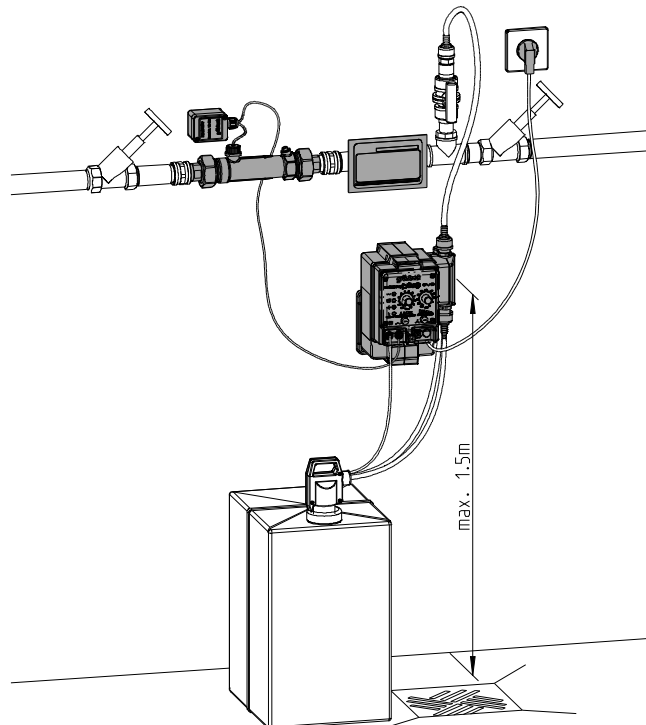


Fig. 2: GENODOS® dosing system DM 6