

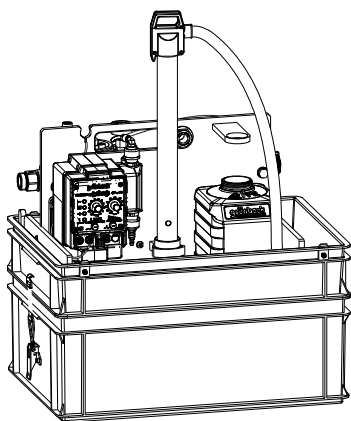
MOBI-dos dosing system


Fig. 1: MOBI-dos dosing system

Designated application

The MOBI-dos dosing system is designed for system disinfection as per DIN EN 806-4 and DVGW worksheet W 557.

Drinking water installations are disinfected by means of the well proven disinfectants GENO®-perox (hydrogen peroxide), GENO®-Bakttox (chlorine dioxide) or GENO®-Chlor A (sodium hypochlorite) listed in worksheet W 557 (also refer to consumables). The MOBI-dos dosing system sucks the disinfectant directly from the 3, 10 or 20 litre containers placed safely in the collecting tray.

The integrated Euro-system separator GENO®-DK 2 completely ensures the protection of the drinking water as required by DIN EN 1717.

The MOBI-dos dosing system is placed on the floor and integrated into the piping by means of the flexible connection hoses. By using the optional connection fitting cases ¾" - 2" resp. 1 ½" - DN 80, the flexible integration into the pipes is practically universal, e. g. at the location of an existing filter (refer to accessories).

Low weight and a plastic box which is closed on all sides permit the easy transportation of the MOBI-dos dosing system. If packed in a cardboard box, also suited for shipment by carrier.

Design

The mobile MOBI-dos dosing system is mounted on a plastic rack, ready for operation and protected by a plastic box during transport.

The water path of the dosing system consists of a system separator, flow limiter, pressure gauge and contact water meter with dosing valve.

The self-deaerating and contact water meter controlled GENODOS®-dosing pump features a gas-tight suction lance for 3, 10 and 20 litre containers and an empty signal. In order to deposit the suction lance and the 3-litre container, the plastic frame features corresponding holders.

Furthermore, an empty 3-litre container to rinse the system with water and 2 flexible connection hoses each of 1.5 m in length are included in the scope of supply. The transport box protects the system from impurities and damage and also serves as a collecting tray for the chemicals used and for dripping water.

Function

The MOBI-dos dosing system is placed on the floor and integrated into the piping by means of the flexible connection hoses (refer to fig. 2).

If the withdrawal points provided by others are opened, volume-controlled dosing of disinfectants into the water flowing through takes place. The disinfectant is sucked directly from the 3, 10 or 20 litre containers that are placed safely in the collecting tray. The concentration of the disinfectant can be set at the dosing pump and dosing can be switched off during filling and rinsing of the drinking water installation.

After completion of the system disinfection, the MOBI-dos dosing system is rinsed with water by means of the 3-litre container supplied with the system.

Scope of supply

MOBI-dos dosing system complete with operation manual and 2 flexible connection hoses each of 1.5 m in length with spare O-rings in transport box. Packed in an additional, robust cardboard box for shipment by carrier.

Consumables
Hydrogen peroxide

- GENO®-perox (1 litre)
(for refill into the 10 kg container)

Order no. 170 320

- GENO®-perox (8.84 litres)

Order no. 170 325

- Water test kit
Peroxide 100 - 1.000 mg/l
(100 analyses)

Order no. 170 167

- Water test kit
Peroxide 0.5 - 25 mg/l
(100 analyses)

Order no. 170 136

Chlorine dioxide

- GENO®-Bakttox (3 litres)

Order no. 170 450

- GENO®-Bakttox (10 litres)

Order no. 170 460

- GENO®-Bakttox (20 litres)

Order no. 170 470

- Neutralisation powder for
GENO®-Bakttox
Sodium sulphite (5 kg)

Order no. 170 306

- Water test kit
Chlorine dioxide test 0.02 - 0.55 ppm
(300 analyses)

Order no. 170 430

- Digital test device Scuba+

Order no. 211 145

- Spare indicator for Scuba+, DPD 1
(50 tablets)

Order no. 211 221

Sodium hypochlorite

- GENO®-Chlor A 25 kg (20 litres)

Order no. 210 012

- Water test kit for chlorine
0 - 160 mg/l (20 analyses)

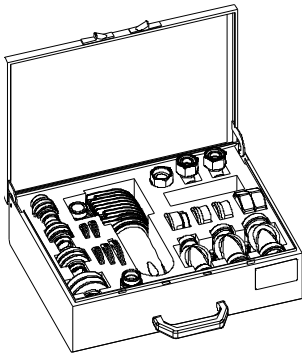
Order no. 170 138

- Water test kit
for chlorine 0.1 - 2.0 mg/l
and pH value 6.9 - 8.2
(150 analyses)

Order no. 170 128

Accessories

Case with connection fittings 3/4", 1", 1 1/4", 1 1/2", 2"



To install a flushing compressor or a MOBIdos dosing system into the pipe, e. g. where an existing filter, adjusting piece, water softener or dosing system is located.

Consisting of:

- Connection fittings, e. g. for installation at the location of the adjusting piece, for 1", 1 1/4", 1 1/2", 2" (variable installation length, starting from approx. 175 mm), 2 transition pieces with seals for each nominal diameter.
- Connection fittings for installation at the location of a filter with an installation length of 100 mm, one flushing adapter 3/4", 1", 1 1/4" each (fixed installation length, 100 mm).
- BOXER® K fine filter with connection kit for installation of the fine filter at the inlet of the flushing compressor.
- Connection set for system separators to install an optional system separator DN 25 at the inlet of a flushing compressor or to install a MOBIdos dosing system.
- 2 connection angles, 4 spare O-rings.
- Mounting instructions.

Complete, in 130 mm Sortimo case, suitable for Sortimo in-vehicle equipment.

Order no. 151 070

Case with connection fittings 1 1/2", 2", DN 65, DN 80



To install two - in case of DN 80 up to three - flushing compressors in parallel or a MOBIdos dosing system into the pipe, e. g. at the location of an existing filter, adjusting piece, water softener or dosing system.

Consisting of:

- Connection fittings for 1 1/2", 2", DN 65, DN 80 (variable installation length, starting from approx. 190 mm), 2 transition pieces resp. transition flanges with seals for each nominal diameter.
- 2 blind caps.
- 6 connection angles, 4 spare O-rings.
- Mounting instructions.

Complete, in 130 mm Sortimo case, suitable for Sortimo in-vehicle equipment.

Order no. 151 080

Hose extension set for flushing compressors and MOBIdos dosing systems

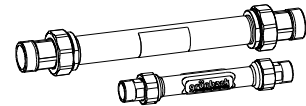
Consisting of:

- 2 flexible connection hoses, each 1.5 m in length
- 2 coupling pieces
- 4 spare O-rings

Packed in a cardboard box

Order no. 151 820

Adjusting pieces



For installation downstream of the initial filter at the entry of the water supply pipe into the house, e. g. to connect a flushing compressor, a dosing system, a softener or as an intermediate component to flush long pipes (screw connections and seals are included in the scope of supply).

Adjusting piece 1"

– Installation length without screw connection, 190 mm

Order no. 128 001

Adjusting piece 1 1/4"

– Installation length without screw connection, 190 mm

Order no. 128 401

Adjusting piece 1 1/2"

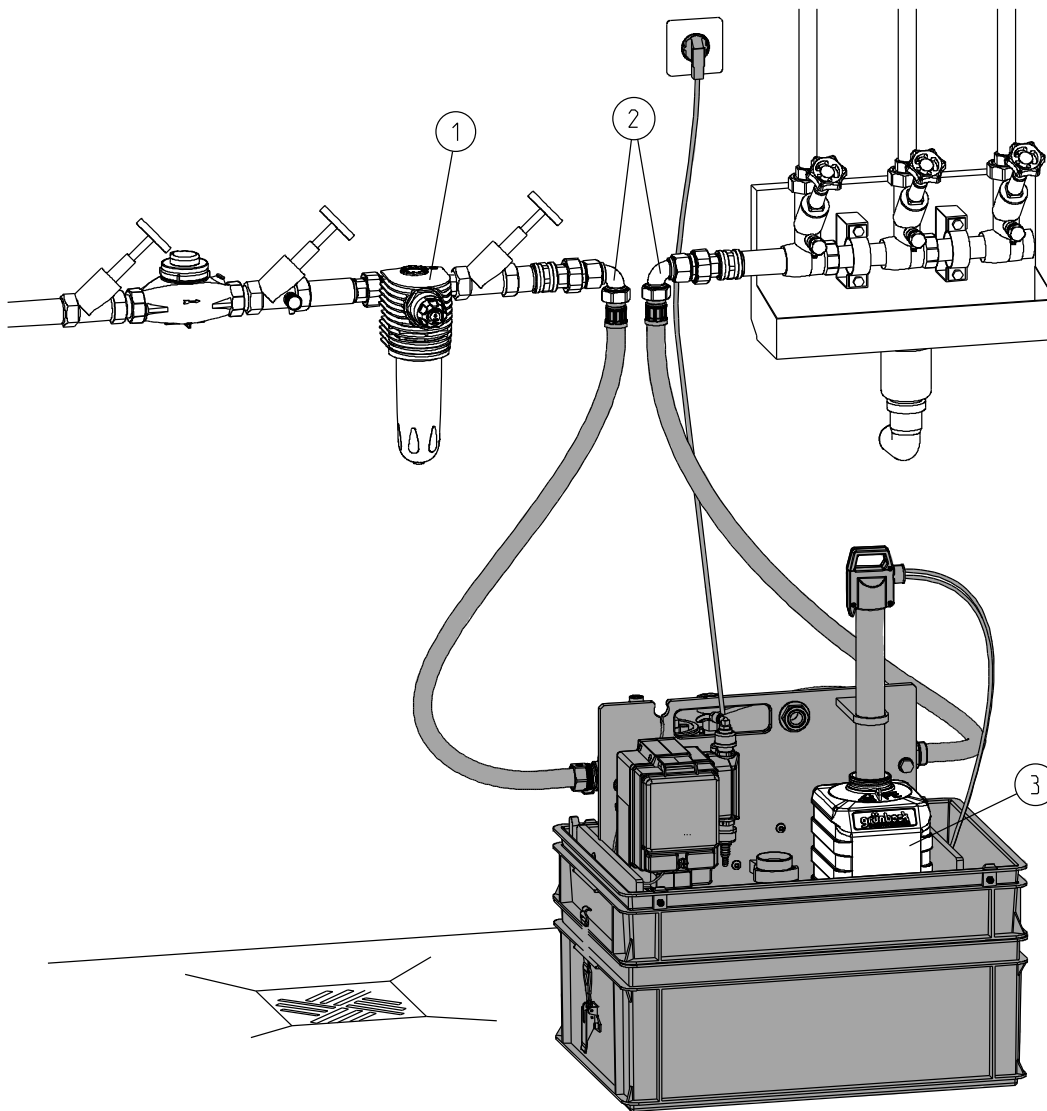
– Installation length without screw connection, 330 mm

Order no. 128 402

Adjusting piece 2"

– Installation length without screw connection, 330 mm

Order no. 128 403



- ① Drinking water filter, e.g., BOXER® KD (to be provided by others on site)
- ② Connection pieces (accessories, contained in case with connection fittings 3/4"-2")
- ③ Dosing solution (accessories)

Fig. 2: Installation example MOBldos dosing system

Table Technical Specifications		MOBIidos dosing system
Connection data		
Nominal connection diameter		1" (with optional cases with connection fittings ¾" up to DN 80)
Power supply	[V]/[Hz]	230/50
Max. power input	[W]	18
Protection/protection class		IP 54/I
Performance data		
Flow rate Q_{max}	[m³/h]	5
Operating range of flow rate	[m³/h]	0.2 - 5
Max. operating pressure	[bar]	8
Nominal pressure		PN 10
Dimensions and weights		
Width	[mm]	600
Height during operation, approx.	[mm]	570 (780*)
Depth	[mm]	400 (800**)
Shipping dimensions, packing not included (w x h x d)	[mm]	600 x 340 x 400
Weight, packing not included	[kg]	17.6
Shipping weight, packing included	[kg]	20
* If collecting tray is placed beneath (possible for suction from 3-litre containers).		
** In case of separate placement of the collecting tray for 10 and 20-litre containers.		
General		
Ambient/water temperature	[°C]	5 - 30
Temperature of dosing medium	[°C]	5 - 40
Order no.		160 150

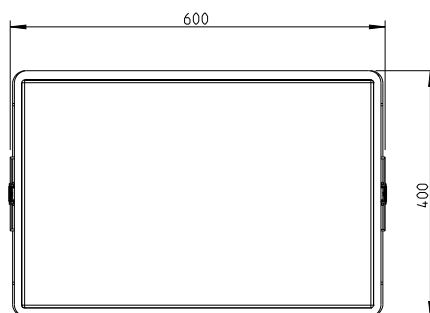
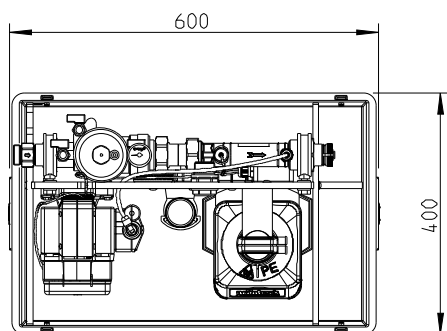
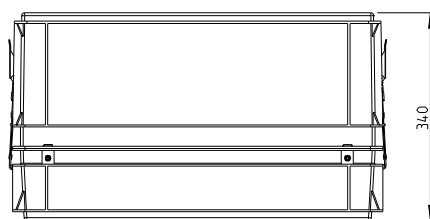
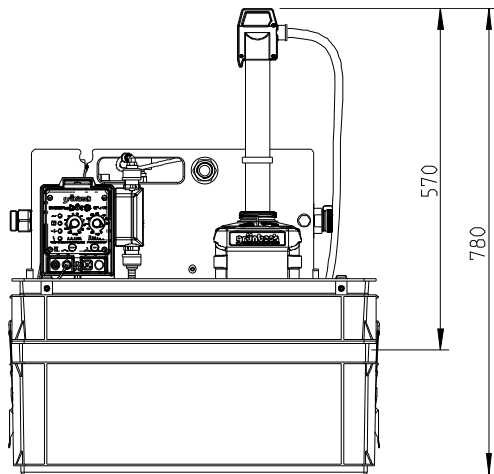


Fig. 3: Dimensional drawing MOBIidos dosing system

Fig. 4: Shipping dimensions of MOBIidos dosing system