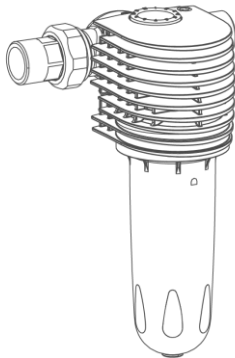
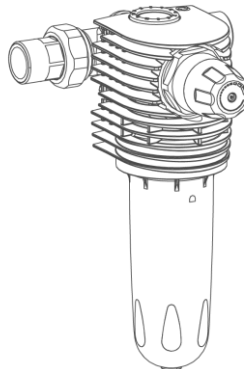


KX



KDX



## Fine filters BOXER KX BOXER KDX

### Intended use

The fine filters BOXER KX and BOXER KDX are designed for filtering drinking water.

The fine filter BOXER KDX with pressure reducer is additionally suitable for adjusting the holding pressure on the withdrawal side.

The filters can be used for positive pressure and negative pressure applications. The adjustment of the after-pressure on the withdrawal side, however, only works when applied in the positive pressure range.

The filters are not suitable for circulation water that is treated with chemicals.

They are neither suitable for oils, greases, solvents, soaps and other lubricating media, nor for the separation of water-soluble substances.

The fine filters BOXER KX and BOXER KDX are designed according to the stipulations of DIN EN 13443-1 and DIN 19628 and are intended for installation into drinking water pipes according to DIN EN 806-2 (installation immediately downstream of the water meter).

They protect the water pipes and connected water-carrying system parts from disturbances and corrosion damage due to undissolved impurities (particles), such as rust particles, sand, etc.

### Function

The unfiltered drinking water flows into the filter from the inlet side and then from the outside in through the filter cartridge and to the pure water outlet. Thus, foreign particles of > 100 µm in size are retained.

Depending on their size and weight, the foreign particles either stick to the filter cartridge or they fall straight down into the filter cylinder.

By means of the flow-optimised pressure reducer of the fine filter BOXER KDX, which is designed according to DIN EN 1567, the holding pressure on the withdrawal side can be set to 1 – 6 bar (factory setting: 4 bar).

### Design

- Connection flange incl. water meter screw connections (made of dezincification-resistant brass) with seals and stainless steel screws.
- Supporting fabric made of high-grade plastic for long-term use.
- Maintenance ring for setting the next maintenance date (filter change).
- Transparent blue filter cylinder can be screwed by hand.

- Replaceable filter cartridge made of polyester fabric (filter fineness 100 µm in the standard version; 80 µm, 50 µm, 20 µm and 5 µm can be retrofitted).
- In order to set and indicate the after-pressure on the outlet side, a pressure reducer with pressure gauge is integrated in the filter head of the BOXER KDX.
- All water contacting parts comply with the German Drinking Water Ordinance. Test regulations: KTW, DVGW W 270, DIN 50930-6.
- All materials are recyclable.

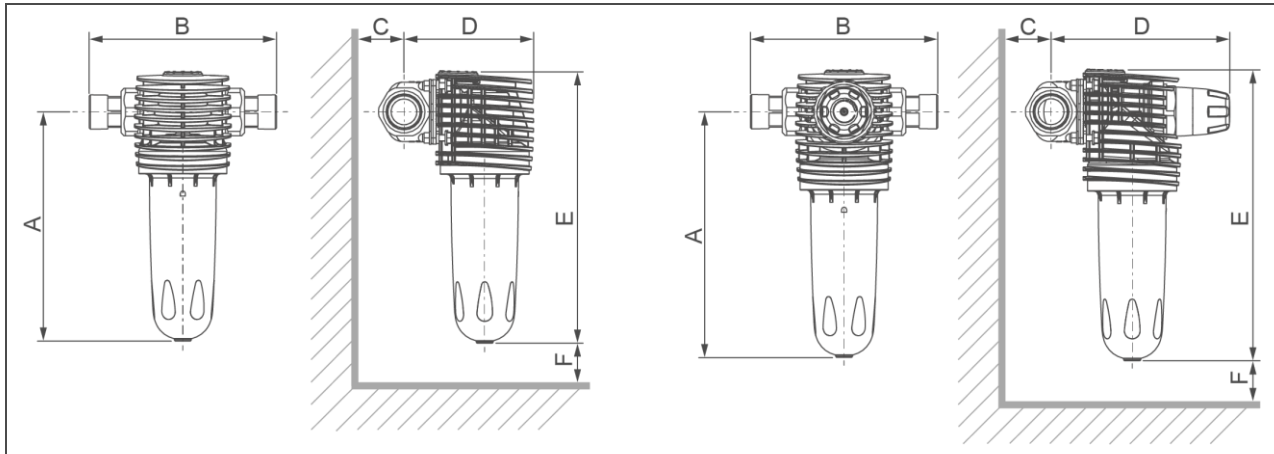
### Scope of supply

- Fine filter with connection flange
- Water meter screw connection
- Seals
- Filter cartridge 100 µm
- Operation manual

#### Only **fine filter BOXER KDX**:

- Pressure reducer cartridge
- Pressure gauge

## Technical specifications I



Dimensions and weights		BOXER KX			BOXER KDX			
		DN 20	DN 25	DN 32	DN 20	DN 25	DN 32	
Nominal connection diameter		DN 20	DN 25	DN 32	DN 20	DN 25	DN 32	
Connection diameter		¾"	1"	1¼"	¾"	1"	1¼"	
A	Height up to centre of connection	[mm]	225		240			
B	Installation length with/without screw connection	[mm]	185/100	182/100	191/100	185/100	182/100	191/100
C	Min. distance to wall	[mm]			60			
D	Installation depth up to centre of connection	[mm]	115	120	125	160	165	170
E	Total height	[mm]		260		280		
F	Required height for replacement of filter cartridge	[mm]			> 150			
	Empty weight	[kg]	1.7	1.9	2.2	2.0	2.2	2.4
<b>Order no.</b>			<b>101 830</b>	<b>101 835</b>	<b>101 840</b>	<b>101 815</b>	<b>101 820</b>	<b>101 825</b>

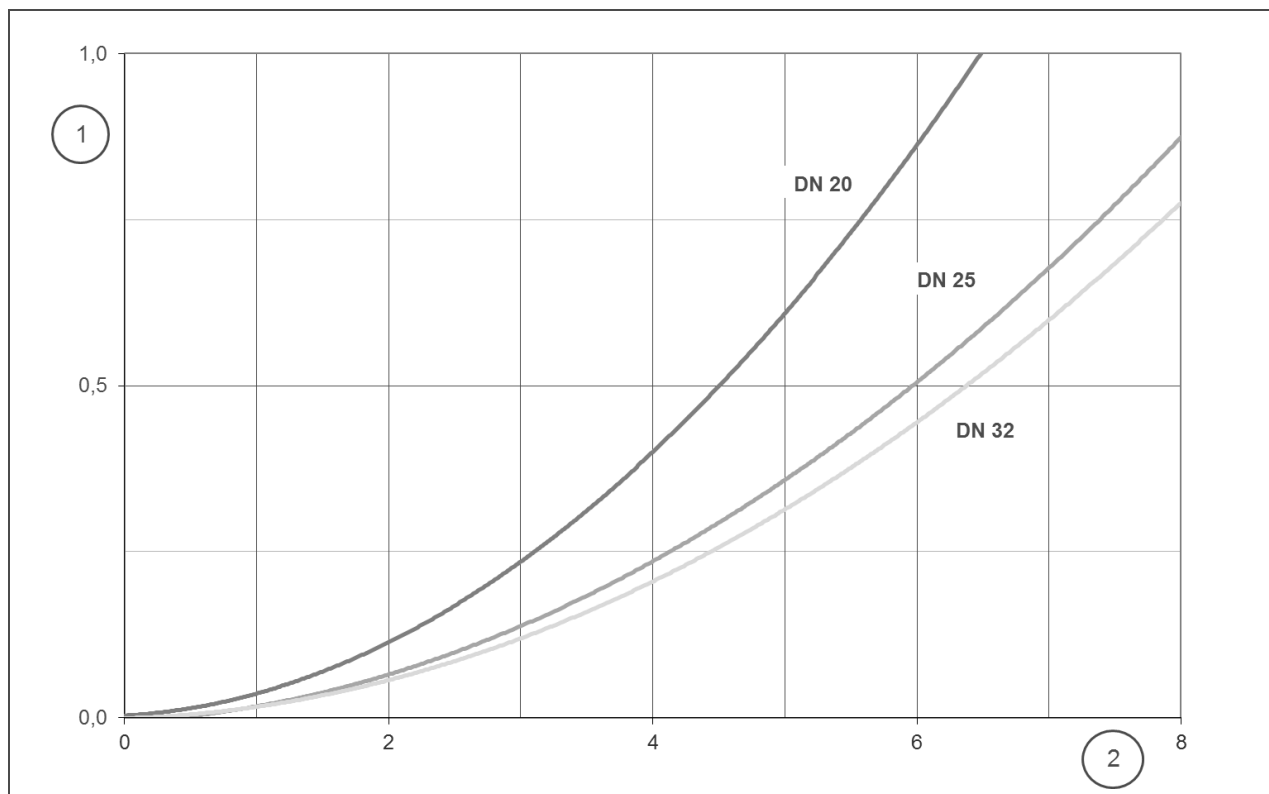
## Technical specifications II

Connection data	BOXER KX			BOXER KDX		
	DN 20	DN 25	DN 32	DN 20	DN 25	DN 32
Nominal connection diameter	DN 20	DN 25	DN 32	DN 20	DN 25	DN 32
Connection diameter	¾"	1"	1¼"	¾"	1"	1¼"

Performance data							
Nominal flow at $\Delta p$ 0.2 (0.5) bar	[m³/h]	2.8 (4.5)	3.7 (6.0)	4.0 (6.3)	-	-	-
Flow rate as per DIN EN 1567	[m³/h]	-	-	-	2.3	3.6	5.8
K <sub>v</sub> value	[m³/h]	6.7	8.4	9.6	-	-	-
Pore size	[µm]	100					
Largest/smallest pore size	[µm]	120/80					
Operating pressure	[bar]	2 – 16					
Nominal pressure		PN 16					

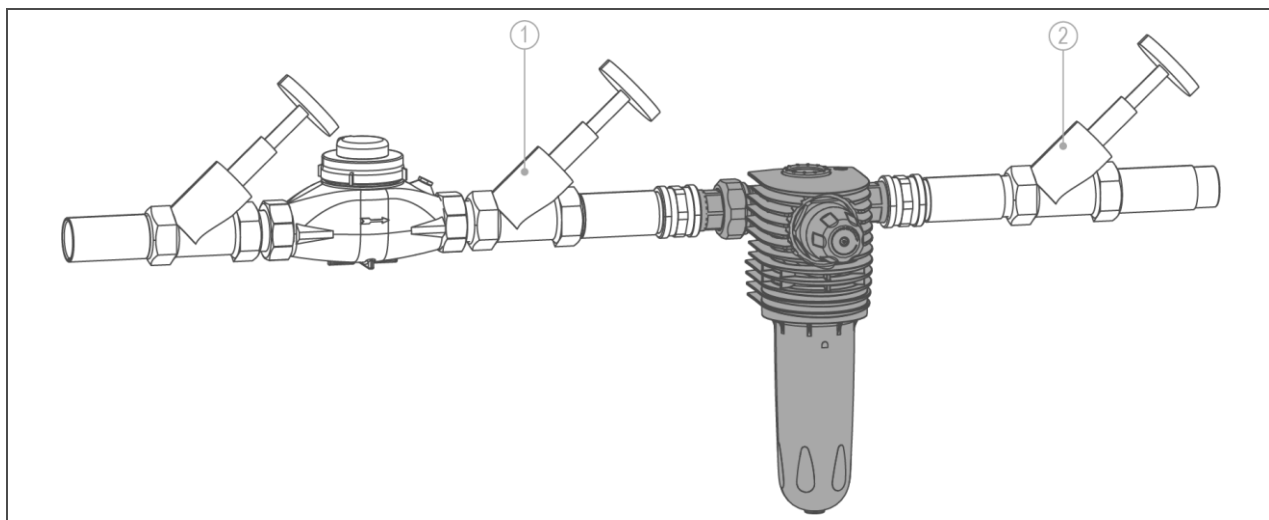
General							
Water temperature	[°C]	5 – 30					
Ambient temperature	[°C]	5 – 40					
DVGW registration number		Test pending					
Order no.		101 830	101 835	101 840	101 815	101 820	101 825

### Pressure loss curves fine filter BOXER KX



Item	Designation	Item	Designation
1	Pressure loss in [bar]	2	Flow rate in [m³/h]

## Installation example



Item	Designation	Item	Designation
1	Shut-off valve (inlet)	2	Shut-off valve (outlet)

### Installation requirements

Observe local installation directives, general guidelines and technical specifications.

The installation site must be frost-proof and ensure the filter's protection from chemicals, dyes, solvents, vapours and direct sunlight.

The installation site must be well accessible for maintenance purposes.

### Accessories/consumables

2x each included in scope of supply.

#### DVGW-certified

**101 272 filter cartridge 100 µm**

**103 075 filter cartridge 80 µm**

**Not tested according to the German Association of the Gas and Water Industry (DVGW)**

**103 068 filter cartridge 50 µm**

**103 071 filter cartridge 20 µm**

**103 081 filter cartridge 5 µm**

### Contact

Grünbeck Wasseraufbereitung GmbH  
 Josef-Grünbeck-Str. 1  
 89420 Hoehstaedt  
 Germany

+49 9074 41-0

+49 9074 41-100

[info@gruenbeck.com](mailto:info@gruenbeck.com)  
[www.gruenbeck.com](http://www.gruenbeck.com)

