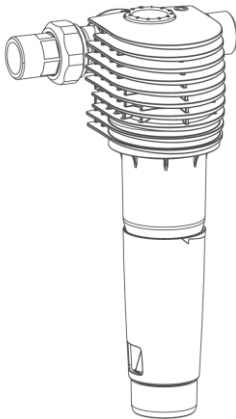


• Product data sheet

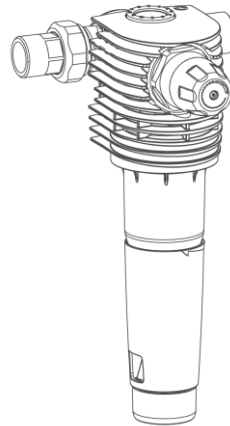
Backwash filter BOXER RX

Backwash filter BOXER RDX

RX



RDX



Backwash filter BOXER RX BOXER RDX

Intended use

The backwash filters BOXER RX and BOXER RDX are designed for filtering drinking water.

The backwash BOXER RDX with pressure reducer is additionally suitable for adjusting the holding pressure on the withdrawal side.

The filters can be used for positive pressure and negative pressure applications. The adjustment of the after-pressure on the withdrawal side, however, only works when applied in the positive pressure range.

The filters are not suitable for circulation water that is treated with chemicals.

They are neither suitable for oils, greases, solvents, soaps and other lubricating media, nor for the separation of water-soluble substances.

The backwash filters BOXER RX and BOXER RDX are designed according to the stipulations of DIN EN 13443-1 and DIN 19628 and are intended for installation into drinking water pipes according to DIN EN 806-2 (installation immediately downstream of the water meter).

They protect the water pipes and connected water-carrying system parts from disturbances and corrosion damage due to undissolved impurities (particles), such as rust particles, sand, etc.

Function

The unfiltered drinking water flows into the filter from the inlet side and then from the outside in through the filter element and to the pure water outlet. Thus, foreign particles of $> 100 \mu\text{m}$ in size are retained.

Depending on their size and weight, the foreign particles either stick to the filter element or they fall straight down into the filter cylinder.

The drain is opened by turning the backwash handwheel as far as it will go, and backwashing is carried out. The water flows through the primary screen to the filter element and then flows through the filter element in reverse direction of standard filtration. Particles sticking to the filter element are detached and washed out to the drain.

We recommend performing a backwash every two months.

In the backwash filter BOXER RDX with pressure reducer, the flow-optimised pressure reducer, which is designed according to DIN EN 1567, enables the holding pressure on the withdrawal side to be set to 1 – 6 bar (factory setting: 4 bar).

Structure

- Connection flange incl. water meter screw connections (made of dezincification-resistant brass) with seals and stainless steel screws.
- Filter element made of stainless steel mesh.
- Maintenance ring for setting the next maintenance date (backwash).
- Ergonomic handwheel for easier backwash triggering.
- Transparent blue filter cylinder can be screwed by hand.
- Drain connection DN 50 according to DIN EN 1717 for connection to the drain pipe with integrated outlet.
- In order to set and indicate the after-pressure on the outlet side, a pressure reducer with pressure gauge is integrated in the filter head of the BOXER RDX.
- All water contacting parts comply with the German Drinking Water Ordinance. Test regulations: KTW, DVGW W 270, DIN 50930-6.
- All materials are recyclable.

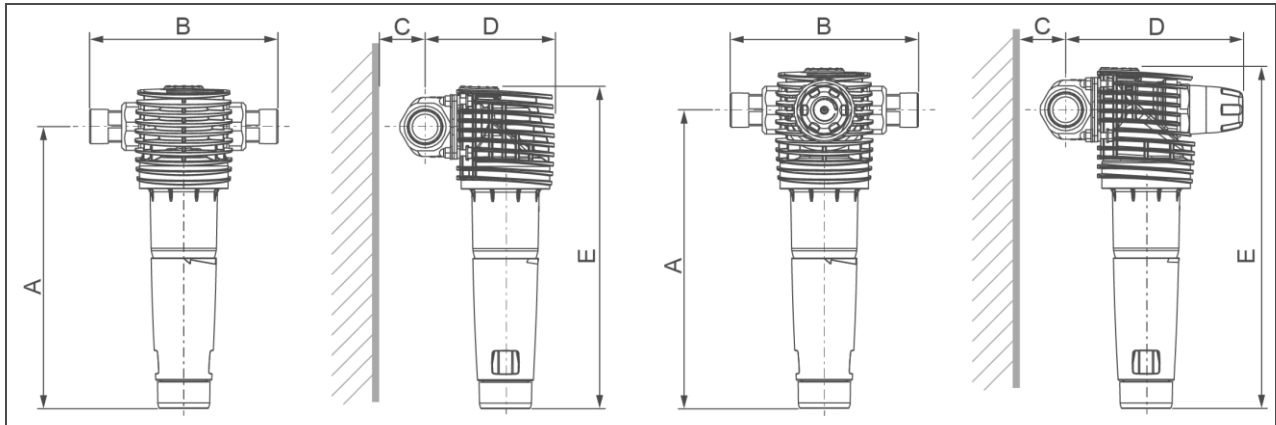
Scope of supply

- Backwash filter with connection flange
- Water meter screw connection
- Seals
- Operation manual

Only **backwash filter BOXER RDX**:

- Pressure reducer cartridge
- Pressure gauge

Technical specifications I



Dimensions and weights		BOXER RX			BOXER RDX		
Nominal connection diameter		DN 20	DN 25	DN 32	DN 20	DN 25	DN 32
Connection diameter		¾"	1"	1¼"	¾"	1"	1¼"
A	Height up to centre of connection [mm]		270		290		
B	Installation length with/without screw connection [mm]	185/100	182/100	191/100	185/100	182/100	191/100
C	Min. distance to wall [mm]			60			
D	Installation depth up to centre of connection [mm]	115	120	125	160	165	170
E	Total height [mm]		310		330		
	Empty weight [kg]	1.7	1.9	2.2	2.0	2.2	2.5
Order no.		101 510	101 515	101 520	101 525	101 530	101 535

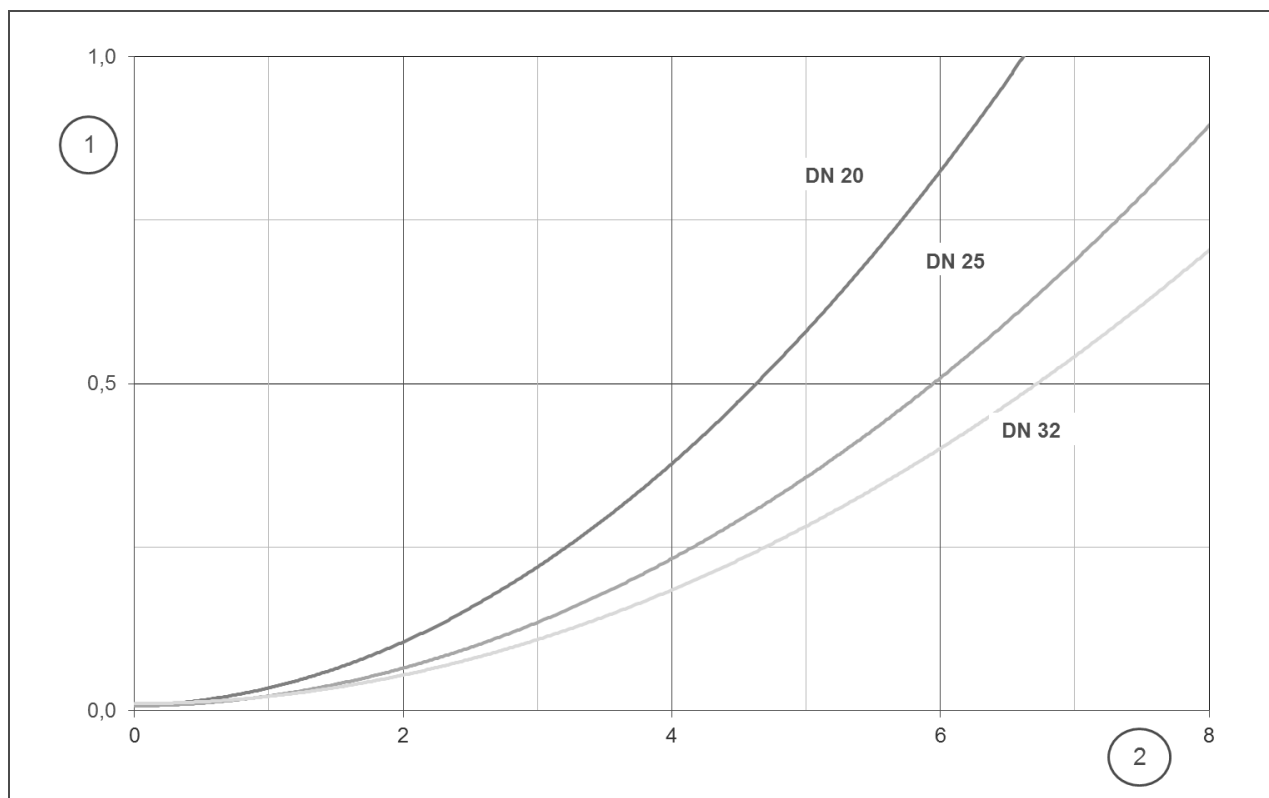
Technical specifications II

Connection data	BOXER RX			BOXER RDX		
Nominal connection diameter	DN 20	DN 25	DN 32	DN 20	DN 25	DN 32
Connection diameter	¾"	1"	1¼"	¾"	1"	1¼"

Performance data							
Nominal flow at Δp 0.2 (0.5) bar	[m³/h]	2.9 (4.7)	3.8 (5.9)	4.2 (6.7)	-	-	-
Flow rate as per DIN EN 1567	[m³/h]	-	-	-	2.3	3.6	5.8
K _v value	[m³/h]	6.7	8.4	9.6	-	-	-
Pore size	[µm]	100					
Largest/smallest pore size	[µm]	120/80					
Operating pressure	[bar]	2 – 16					
Nominal pressure		PN 16					

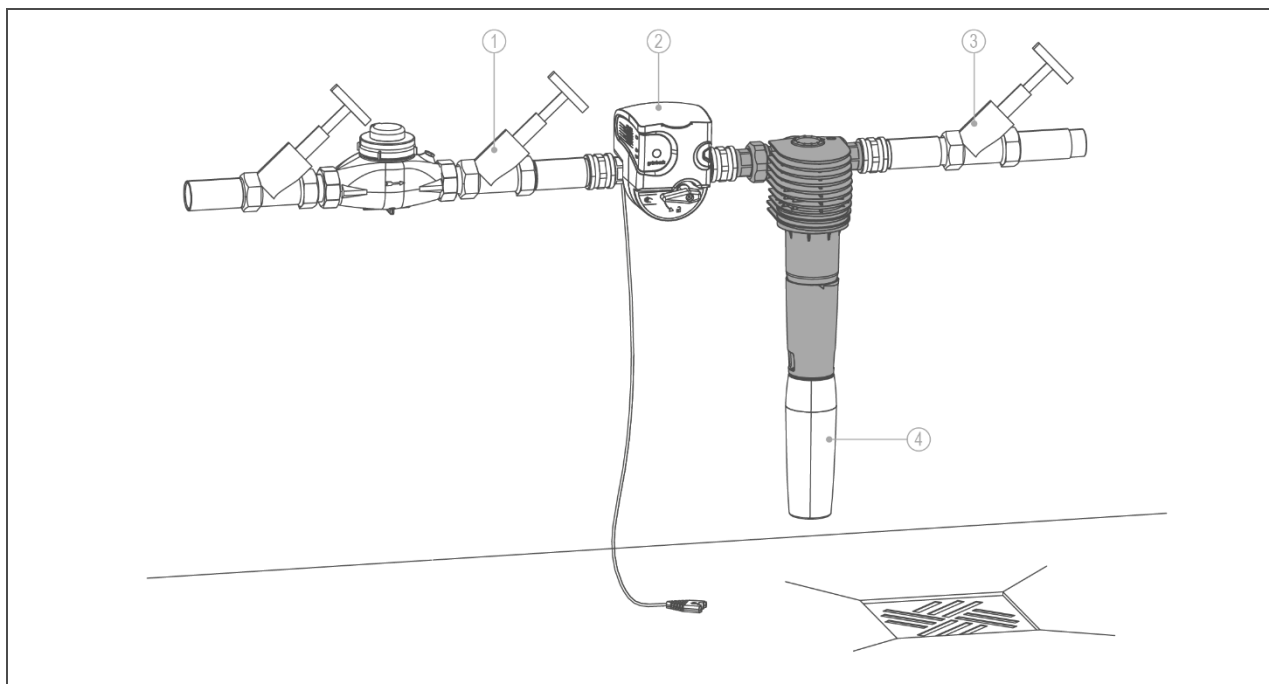
General							
Backwash water volume at 4 bar inlet pressure	[l]	approx. 4					
Water temperature	[°C]	5 – 30					
Ambient temperature	[°C]	5 – 40					
DVGW registration number		Test pending					
Order no.		101 510	101 515	101 520	101 525	101 530	101 535

Pressure loss curves backwash filter BOXER RX



Item	Designation	Item	Designation
1	Pressure loss in [bar]	2	Flow rate in [m³/h]

Installation example



Item	Designation	Item	Designation
1	Shut-off valve (inlet)	2	Safety device protectliQ
3	Shut-off valve (outlet)	4	Drain connection

Installation requirements

Observe local installation directives, general guidelines and technical specifications.

The installation site must be frost-proof and ensure the filter's protection from chemicals, dyes, solvents, vapours and direct sunlight.

The installation site must be well accessible for maintenance purposes.

Accessories

Drain connection DN 50, Art. no: 188 875

Drain connection according to DIN EN 1717 with integrated siphon for discharging backwash water into the drain.

Contact

Grünbeck Wasseraufbereitung GmbH
 Josef-Grünbeck-Str. 1
 89420 Hoehstaedt
 Germany

☎ +49 9074 41-0

✉ +49 9074 41-100

info@gruenbeck.com
www.gruenbeck.com

