

Heating water treatment system GENO-VARIO mini

Designated application

The GENO-VARIO mini is designed for the specialised tradesman in order for him to perform the treatment of circulation water (according to VDI 2035).

The GENO-VARIO mini may only and exclusively be used for the treatment of water in closed heating or cooling circuits.

For the duration of the treatment, the GENO-VARIO mini is integrated into the circuit in the form of a bypass.

The GENO-VARIO mini can be used in new or existing systems.

Function

The function of the GENO-VARIO mini is based on the well-proven processes of filtration and softening or demineralisation.

The GENO-VARIO mini is integrated into the filled up heating or cooling circuit as a bypass. Part of the circulation water permanently flows through the GENO-VARIO mini. Prior draining or flushing is not required.

Initially, the filter removes undissolved impurities such as rust or dirt particles. Afterwards, the circulation water - depending on the accessories used - flows through

the softening cartridge decaliQ:BA or the mixed bed cartridge desaliQ:BA.

When filling new systems, the circuit may be filled with drinking water. The treatment of the circulation water by means of the GENO-VARIO mini only takes place shortly before the start-up of the heating/cooling circuit. Thus, a water quality as per VDI 2035 is achieved.

The make-up water feed or filling of the circuit as per DIN EN 1717 can be realised by means of the integrated filling group.

The GENO-VARIO mini is available with or without GENO-Multi-LF conductivity meter. The GENO-Multi-LF is only applied in demineralisation.

Design

- Circulation pump
- Filling group for make-up water feed or filling, incl. system separator as per DIN EN 1717
- Fine filter with depth filter element (100 µm)
- Water meter with reset function and flow indicator
- Automatic deaeration
- Flow monitoring with automatic switch-off function

- Temperature monitoring with automatic switch-off at 60 °C or 80 °C
- Easy to operate control unit
- Conductivity meter (variant only) with solenoid valve and automatic switch-off function

Stationary version

- Anodised system rack with feet

Mobile version

- Mobile, anodised aluminium rack for horizontal or upright transportation.

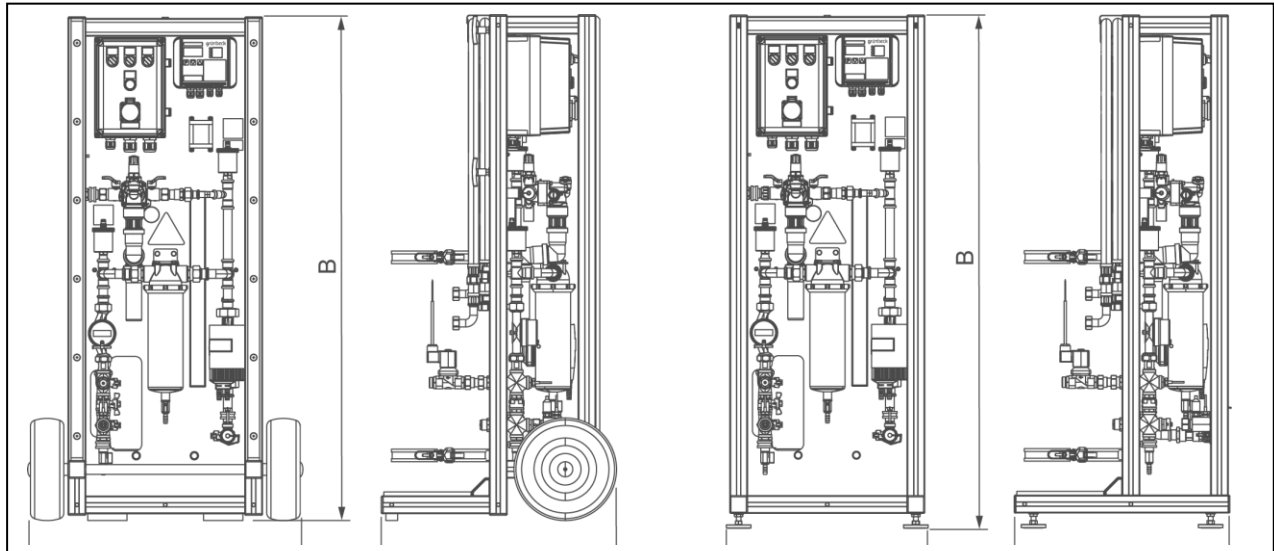
Scope of supply

- System ready for connection
- 2 Connection hoses DN 20, each 1.5 m in length, with union nuts 3/4" on both sides
- 2 Connection hoses DN 20, each 1.5 m in length, with union nuts 3/4" on both sides, one connection with 90° elbow
- Operation manual

Technical specifications I

Mobile version

Stationary version



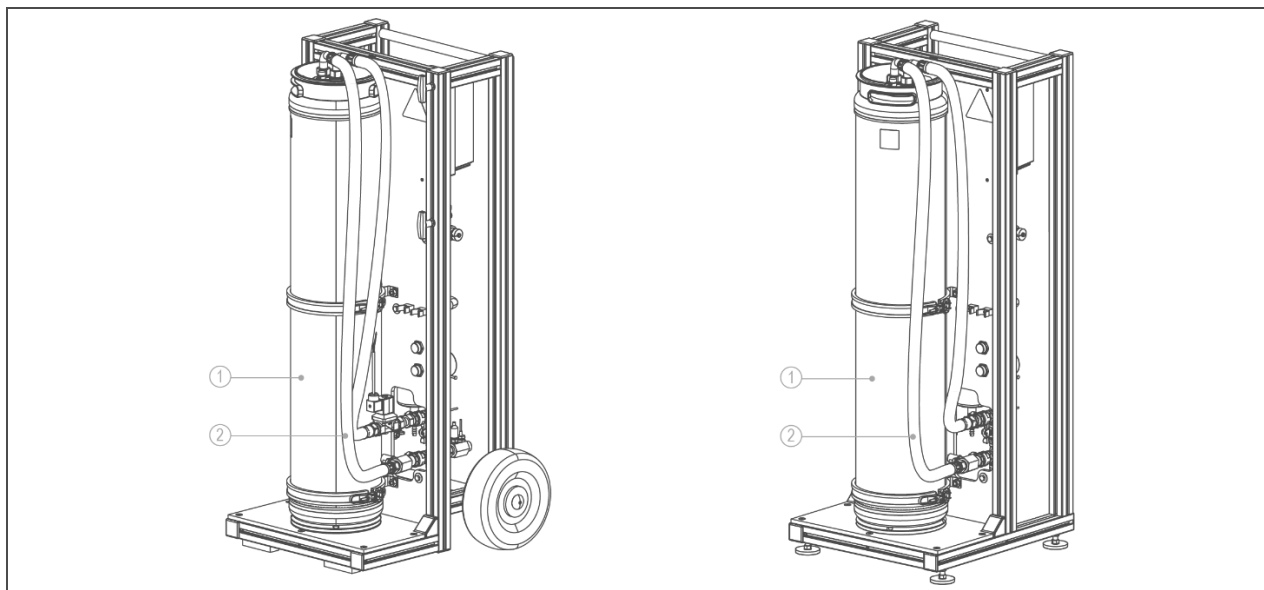
Dimensions and weights		Mobile version	Stationary version	
A	System width	[mm]	697	514
B	System height	[mm]	1280	1301
C	System depth	[mm]	595	548
Operating weight (depends on accessories)		[kg]	85 - 109	85 - 109
Empty weight		[kg]	47	47

Technical specifications II

Connection data		
Nominal connection diameter		DN 20 (3/4" male thread)
Power supply	[V]/[Hz]	230/50
Performance data		
Nominal pressure (drinking water inlet)	[PN]	10
Nominal pressure (circuit)	[PN]	6
Min./max. operating pressure (circuit)	[bar]	1.5/4
Circulation capacity*	[l/h]	500 - 1000
Circulation capacity of filtration*	[l/h]	200 - 1400
General data		
Setting range of pressure reducer	[bar]	0.2 - 4
Water temperature (inlet)	[°C]	5 - 65
Water temperature (circuit)	[°C]	5 - 80
Ambient temperature	[°C]	5 - 40
Order no. (mobile version)		707 550
Order no. (mobile version incl. GENO-Multi-LF)		707 550.01
Order no. (stationary version)		707 560
Order no. (stationary version incl. GENO-Multi-LF)		707 560.01

*Depending on the pollution of the filter and the accessories used.

Installation example



Pos.	Designation	Pos.	Designation
1	Cartridge	2	Hose set

Installation requirements

Please observe local installation directives, general guidelines and technical specifications.

The installation site must be frost-proof and ensure the system's protection from chemicals, dyes, solvents and vapours.

In case of make-up water feed and filling, a drinking water filter must be installed upstream of the system.

A shock-proof socket is required for electrical installation.

The installation room must have a floor drain. If no floor drain is available, an appropriate safety device (e. g. protectliQ) has to be installed.

Accessories

Mixed bed cartridge
desaliQ:BA 12 VARIO mini version
Order no. 707 465

For full demineralisation.
Capacity: 800 l at 50 µS/cm

Mixed bed cartridge
desaliQ:BA16 VARIO mini version
Order no. 707 485

For full demineralisation.
Capacity: 1615 l at 50 µS/cm

Softening cartridge
decaliQ:BA12 VARIO mini version
Order no. 707 765

For softening.
Capacity: 90 m³ x °dH at < 0.1°dH

Softening cartridge
decaliQ:BA16 VARIO mini version
Order no. 707 785

For softening.
Capacity: 180 m³ x °dH at < 0.1°dH

Service set
Order no. 132 095

Service set for the maintenance of system separators

Strap wrench for diameters up to 170 mm
Order no. 105 805

Hose kit DN 20 union nut 3/4" straight/straight 1.5 m
Order no. 707 840

2 hoses, 2 double nipples, incl. seals

Hose kit DN 20 union nut 3/4" straight/90° 1.5 m
Order no. 707 845

2 hoses, 2 double nipples, incl. seals

Consumables

Depth filter element 25 µm
Order no. 707 570
2 pcs in cardboard box

Depth filter element 50 µm
Order no. 707 575
2 pcs in cardboard box

Depth filter element 100 µm
Order no. 707 580
2 pcs in cardboard box

Depth filter element 150 µm
Order no. 707 585
2 pcs in cardboard box

Contact

Grünbeck Wasseraufbereitung GmbH
Josef-Grünbeck-Str. 1
89420 Hoehstaedt
Germany

☎ +49 9074 41-0

☎ +49 9074 41-100

info@gruenbeck.com
www.gruenbeck.com

