

Fig. 1 GENO-therm® case Premium

GENO-therm® case Premium

Designated application

The GENO-therm® case Premium is an optional accessory for the filling and the feed of make-up water of heating systems with and without GENO-therm® filling device.

In order to fill heating systems in accordance with the rules, it is necessary to prevent scaling and corruptions. Thanks to the components included in the case and a disposable GENO-therm® or a reusable GENO-therm® cartridge, this can be without difficulty.

The GENO-therm® measuring cell with adapter is designed to measure the conductivity in the fully demineralised water (demi water) and to monitor the capacity of the connected disposable or reusable GENO-therm® cartridges.

The respective disposable or reusable cartridges to be used can be connected by means of the hoses. Twin nipples and twin screw connections facilitate the connection and are also included in the case.

By means of the water meter, the filling volume can be read and documented.

A system separator is used to secure the drinking water against the heating water and ensures the DIN EN 1717 and DIN 1988-100 compliant filling of the heating systems. (not included in the scope of supply)

Function

GENO® Multi LF conductivity meter

The GENO® Multi LF conductivity meter measures the temperature compensated conductivity of the water flowing through by means of the

measuring adapter. In the control unit of the GENO® Multi LF conductivity meter, a limit value may be defined by which the connected solenoid valve closes and thus an unchecked filling with salty water is prevented. The GENO® Multi LF conductivity meter can either remain in the case or - as an option - may also be screwed to the wall.

Scope of supply

- Sturdy Sortimo case (suitable for Sortimo in-vehicle equipment)
- GENO-therm® hose connection
- Analogue water meter
- GENO® Multi LF conductivity meter with measuring adapter and solenoid valve
- Twin connections and twin nipples
- Operation manual

Accessories

GENO-therm® filling devices

Basic

Order no. 707 120

Komfort

Order no. 707 130

Premium

Order no. 707 140

Disposable GENO-therm® cartridge

The disposable GENO-therm® cartridge is available with or without adapter. It generates fully demineralised water and is suitable for the feed of make-up water in heating systems or for the initial filling of smaller heating systems. Disposable GENO-therm® cartridge with adapter

Order no. 707 150

Disposable GENO-therm® cartridge without adapter

Order no. 707 155

Reusable GENO-therm® cartridge

The reusable GENO-therm® cartridge comes in various sizes and generates fully demineralised water. It is suitable for the initial filling of heating systems of any size.

Reusable GENO-therm® cartridge 290

Order no. 707 050

Reusable GENO-therm® cartridge 570

Order no. 707 060

Reusable GENO-therm® cartridge 825

Order no. 707 070

Reusable GENO-therm® cartridge 1160

Order no. 707 080

Reusable GENO-therm® cartridge 1615

Order no. 707 090

Euro system separator GENO®-DK 2-Mini

Order no. 133 100

Installation requirements

Please observe local installation directives, general guidelines and technical specifications.

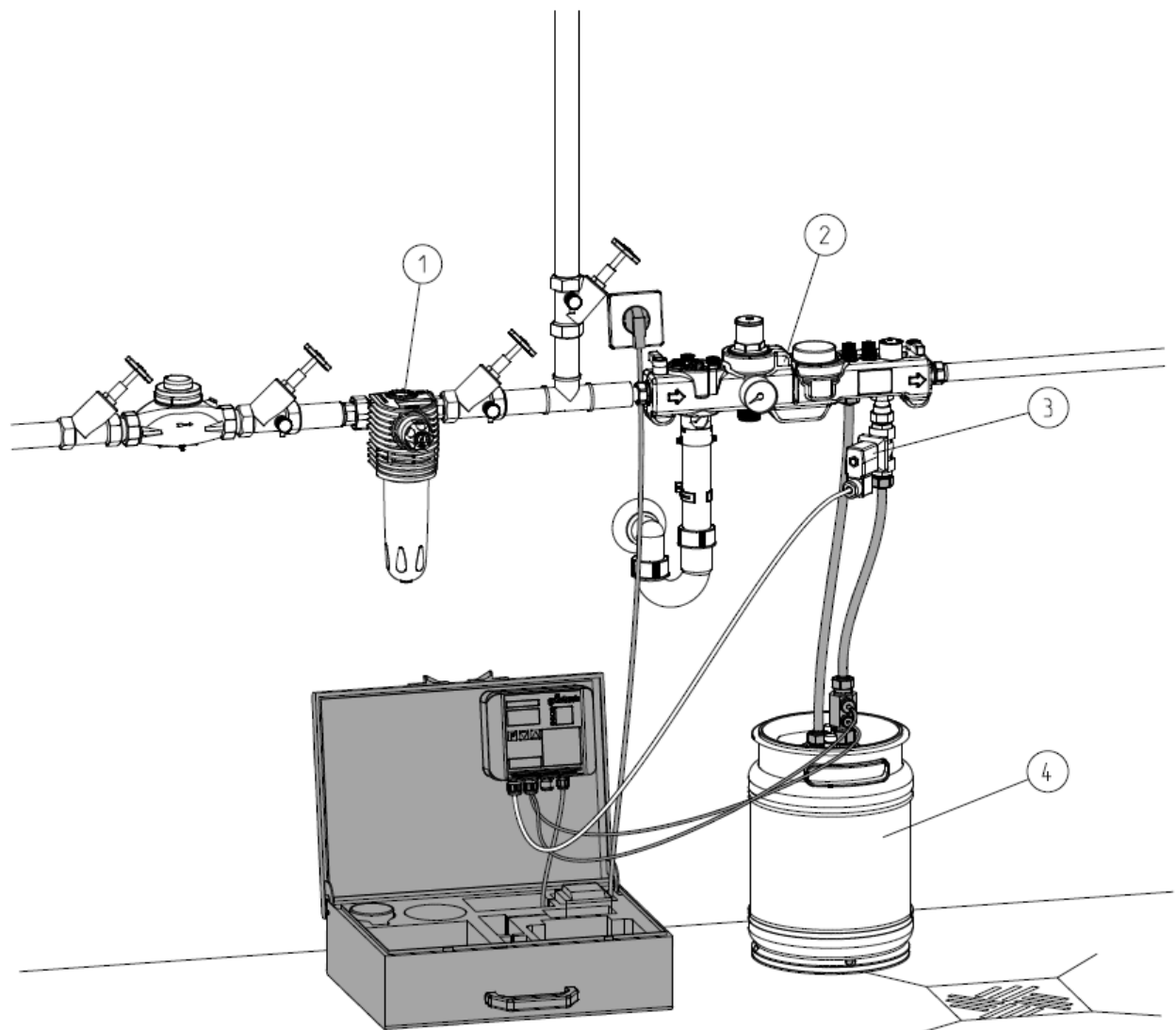
The installation site must be frost-proof. Furthermore, a drain connection (floor drain) should be available.

Technical specifications	GENO-therm® case Premium	
Dimensions and weights		
Weight	[kg]	8
Dimensions (w x d x h)	[mm]	440 x 330 x 130
Order no.		707 170

Technical specifications	Conductivity meter GENO®-Multi LF	
Connection data		
Connection diameter		¾"
Power supply	[V]	230/24 ~(*)
Frequency	[Hz]	50
Power input	VA	25
Protection		IP 54
Dimensions and weights		
Dimensions (l x w x d) (housing)	[mm]	160 x 154 x 61
Operating weight (incl. transformer, adapter)	[kg]	1.6
System data		
Accuracy of indicated value	[%]	5
Measuring range	[µS/cm]	0.0 up to 99.9
Automatic temperature compensation		can be switched off
Connection of a solenoid valve		24 V~ / 13 VA
Output voltage-free limit value contact		230 V~ / 1 A
Ambient data		
Max. ambient temperature	[°C]	40
Order no.		702 842

(*) operation with protective low voltage

Technical specifications	Solenoid valve	
Connection data		
Pipe connection		G ¾"
Nominal diameter	[mm]	13
Installation length	[mm]	130
Voltage	[V]	24
Frequency	[Hz]	50
Power input	[W]	8
System data		
Material		stainless steel/nickel-plated brass
Inductor size	[mm]	32
Pressure range	[bar]	0 - 10
K _v	[m³/h]	3.6
Approval		VDE-approval according to EN 60730 (VDE 0631)
Order no.		707 055



- ① Drinking water filter (e. g. BOXER® KD)
- ② GENO-therm® filling device
- ③ Solenoid valve
- ④ Reusable GENO-therm® cartridge

Fig. 2 Installation example for GENO-therm® case Premium