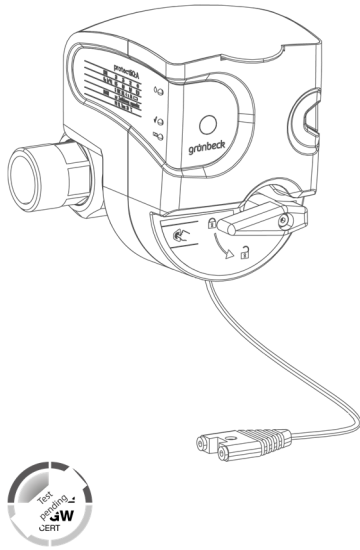


Product Data Sheet

Safety device
protectliQ



Safety device
protectliQ

The safety device protectliQ protects the rooms equipped with a water sensor.

Function

The connected water sensor permanently monitors critical locations in moist-prone rooms such as kitchens, bathrooms or laundry rooms, etc. In case water collects on the floor, the water sensor responds and the protectliQ automatically closes the water supply.

- LED display for leakages, battery OK, battery empty
- Connection option for 2nd water sensor

Scope of supply

- Safety device incl. mounting material
- Water sensor with 2 m cable
- Batteries
- Operation manual

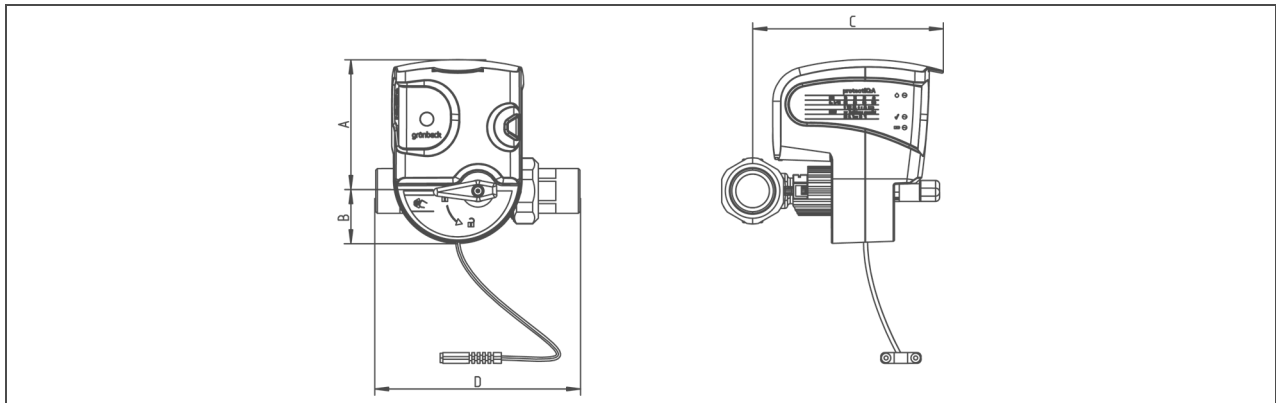
Intended use

The safety device protectliQ is a product for the protection from water damage in one- and two-family homes.

Design

- Ball valve independent of flow direction, powered by 4 AA batteries

Technical specifications I



Dimensions and weights		A20	A25	A32	A40
A	Height up to centre of connection	[mm]		100	
E	Depth up to centre of connection	[mm]		40	
C	Projection exceeding centre	[mm]		143	
D	Installation length with/without screw connection	[mm]	165/70	152/70	251/160
	Operating weight, approx.	[kg]	1.5	1.5	2.5

Connection data		A20	A25	A32	A40
	Nominal connection diameter	DN 20	DN 25	DN 32	DN 40
	Nominal pressure	PN 16			
	Nominal flow Q_n	[m ³ /h]	6.5	8	9

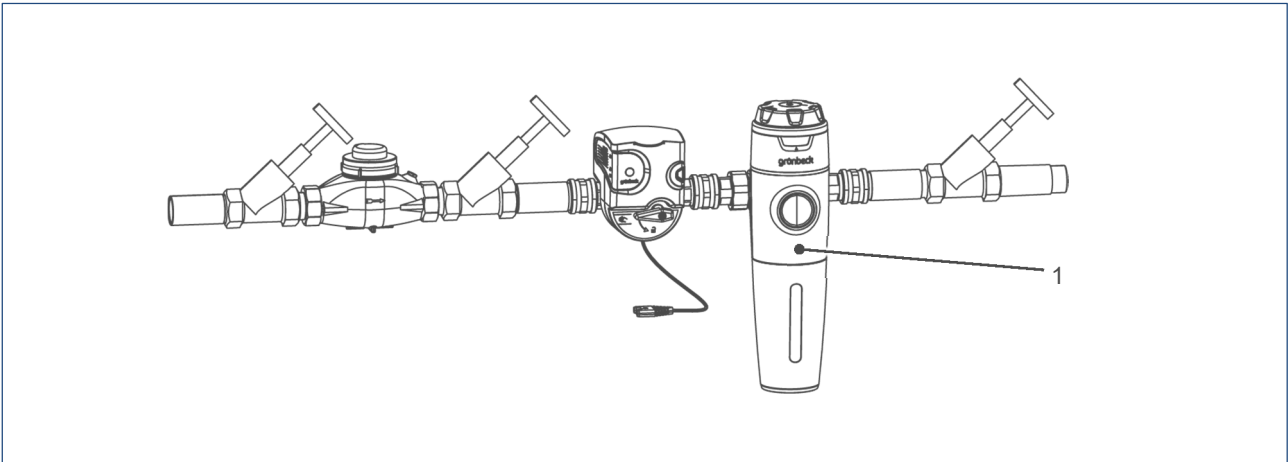
Product Data Sheet

Safety device
protectliQ

Connection data		A20	A25	A32	A40
Pressure loss at nominal flow	[bar]	0.1	0.1	0.2	0.3
Battery type of control unit		Mignon AA 4x			
Power supply of control unit (optional power supply plug)	[VDC]	5			
Max. power input power supply plug	[A]	1			
Power supply (only for battery operation)	[VDC]	6			
Max. power input (only for battery operation) (while valve opens/closes)	[A]	0.2			

Performance data		A20	A25	A32	A40
Field of application		Cold drinking water, min. 20 µS/cm			
Max. water temperature	[°C]	30			
Max. ambient temperature	[°C]	40			
DVGW registration number		Certification pending			
Order no.		126 400	126 405	126 410	126 415

Installation example



Item	Designation	Item	Designation
1	Drinking water filter (e.g. pureliQ:K)		

Installation requirements

Observe local installation directives, general guidelines and technical specifications. The installation site must be frost-proof and ensure the system's protection from chemicals, dyes, solvents and vapours.

Accessories

Power supply plug 126 802

The protectliQ can optionally be operated with a power supply unit.

Water sensor with 2 m cable 126 805

Water sensor with 10 m cable 126 815

A second water sensor with a cable length of up to 10 m can be connected. To do so, use the unused screw terminals on the protectliQ's PCB.

Contact

Grünbeck Wasseraufbereitung GmbH
Josef-Grünbeck-Str. 1
89420 Hoehstaedt
Germany

☎ +49 9074 41-0

☎ +49 9074 41-100

info@gruenbeck.com
www.gruenbeck.com

