



Fine filter pureliQ:KX

Intended use

The pureliQ:KX fine filters are designed for the filtration of drinking water.

The fine filters pureliQ:KX are designed according to the stipulations of DIN EN 13443-1 and DIN 19628 and are intended for installing into the drinking water installation according to DIN EN 806-2 (installation immediately downstream from the water meter).

They protect the water pipes and connected water-carrying system parts from malfunctions and corrosion damage due to undissolved impurities (particles) such as rust particles, sand, etc.

The filters can be used for positive and negative pressure applications.

The filters can only be used in combination with the cliQlock module system.

The filters are not suitable for circulation water that is treated with chemicals.

The filters are neither suitable for oils, greases, solvents, soaps and other lubricating media, nor for the separation of water-soluble substances.

Designated application

Mode of operation

The unfiltered drinking water flows into the filter through the inlet side and from the outside in through the filter element and to the pure water outlet. Thus, foreign particles of > 100 µm in size are retained.

Depending on their size and weight, the foreign particles either

stick to the filter cartridge or they fall straight down into the filter cylinder.



Structure

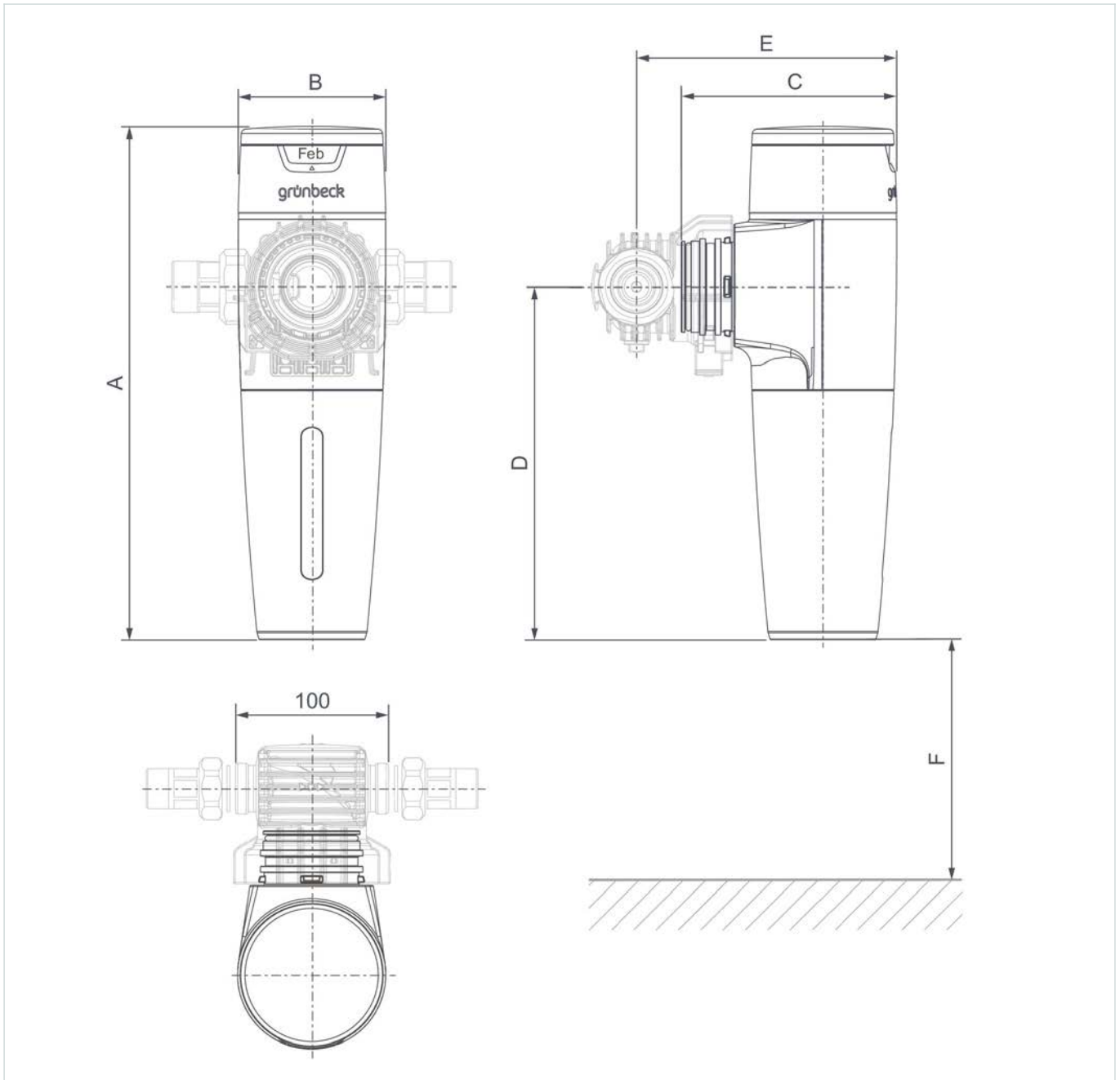
- Cover to protect the filter cylinder and filter element
- Inspection window to determine the degree of impurities in the filter element
- Filter head made of pressure-resistant plastic with interval indicator for changing the filter elements
- Filter element made of polyester fabric (filter fineness 100 µm)

Scope of supply

- Fine filter pureliQ
 - Filter element 100 µm
 - Installation and connection material
- Not included in scope of supply**
- cliQlock basic module



Technical specifications



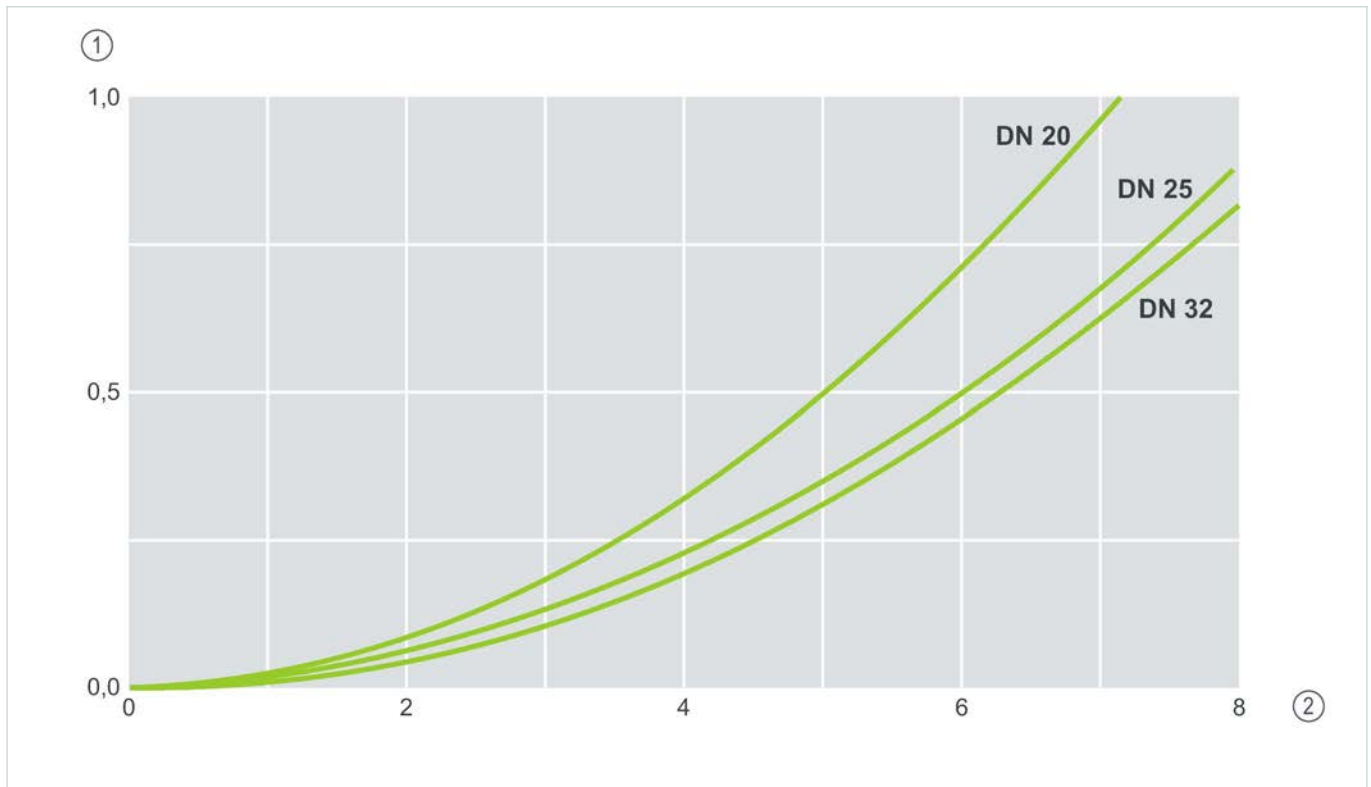
Dimensions and weights			KX (DN 20)	KX (DN 25)	KX (DN 32)
A	Height	mm	335	335	335
B	Width	mm	96	96	96
C	Depth	mm	145	145	145
D	Height connection	mm	235	235	235
E	Depth connection	mm	170	170	170
F	Maintenance dimension bottom	mm	150	150	150
Operating weight		kg	1,2	1,2	1,2



Connection data with cliQlock basic module		Fine filter pureliQ:KX		
Nominal diameter		DN 20	DN 25	DN 32
Connection diameter		¾"	1"	1 ¼"
Performance data		KX (DN 20)	KX (DN 25)	KX (DN 32)
Nominal flow at Δp 0.2 bar	m³/h	3,1	3,7	4,0
Nominal flow at Δp 0.5 bar	m³/h	5,0	6,0	6,0
KV value	m³/h	6,5	8,5	9,1
Pore size	µm	100	100	100
Lower and upper filtration fineness	µm	80 - 120	80 - 120	80 - 120
Nominal pressure		PN 16	PN 16	PN 16
Operating pressure	bar	2 - 16	2 - 16	2 - 16
Certificates		KX (DN 20)	KX (DN 25)	KX (DN 32)
Registration num DIN/DVGW			NW-9301DL0140	
General data		KX (DN 20)	KX (DN 25)	KX (DN 32)
Media temperature	°C	5 - 30	5 - 30	5 - 30
Ambient temperature	°C	5 - 40	5 - 40	5 - 40
Order no.		101000010000	101000010000	101000010000



Pressure loss curve

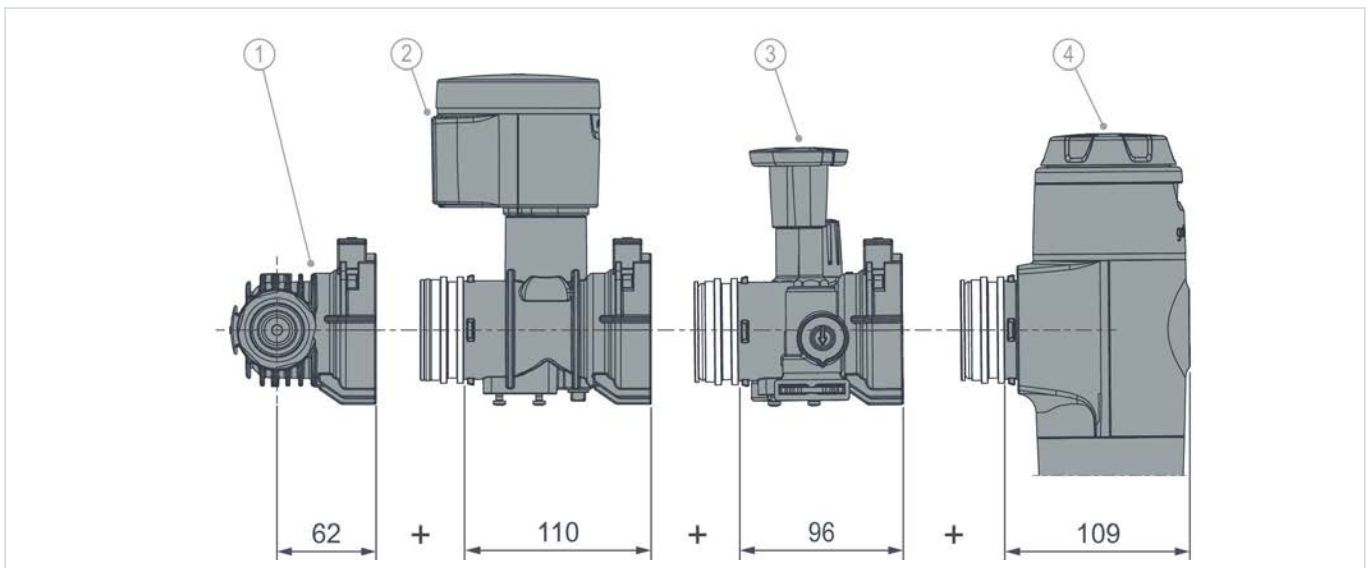


Designation	Designation
1 Differential pressure in bar	2 Flow rate in m³/h

Pressure loss at 0.5 bar / DN 32 corresponding to DIN EN 13443-1, Sect. 8.3.2



Modular cliQlock system setup dimensions



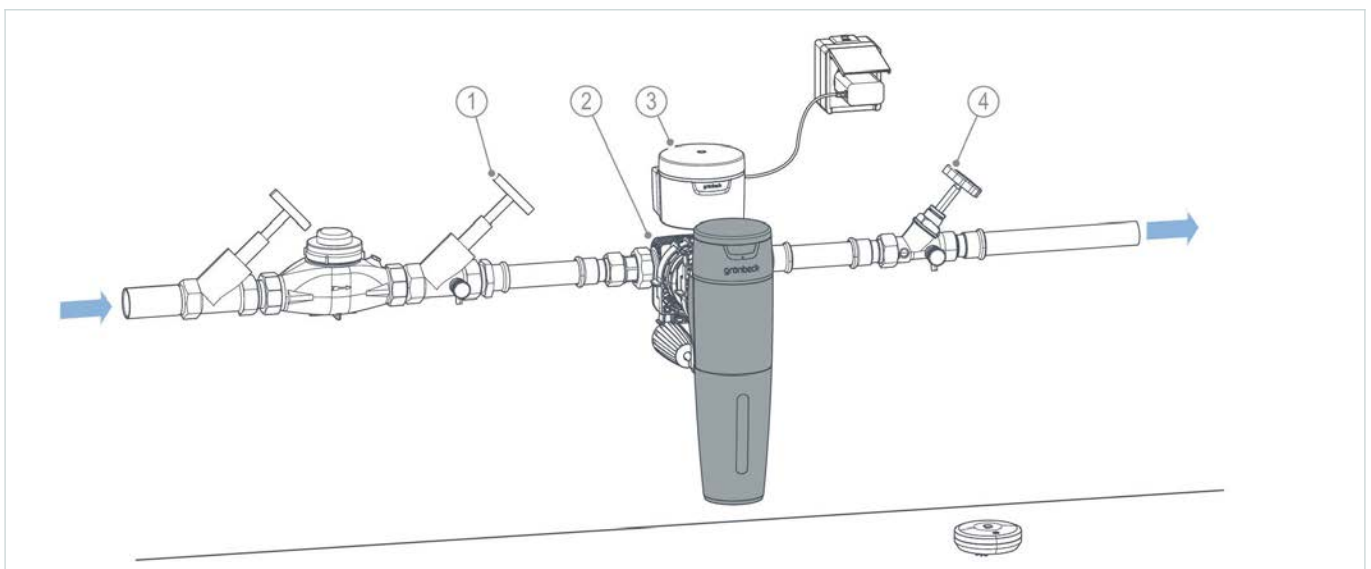
Designation

- 1 cliQlock basic module
- 2 Leakage protection protectliQ:B

Designation

- 3 cliQlock connection module (softliQ)
- 4 pureliQ X drinking water filter series

Installation example



Designation

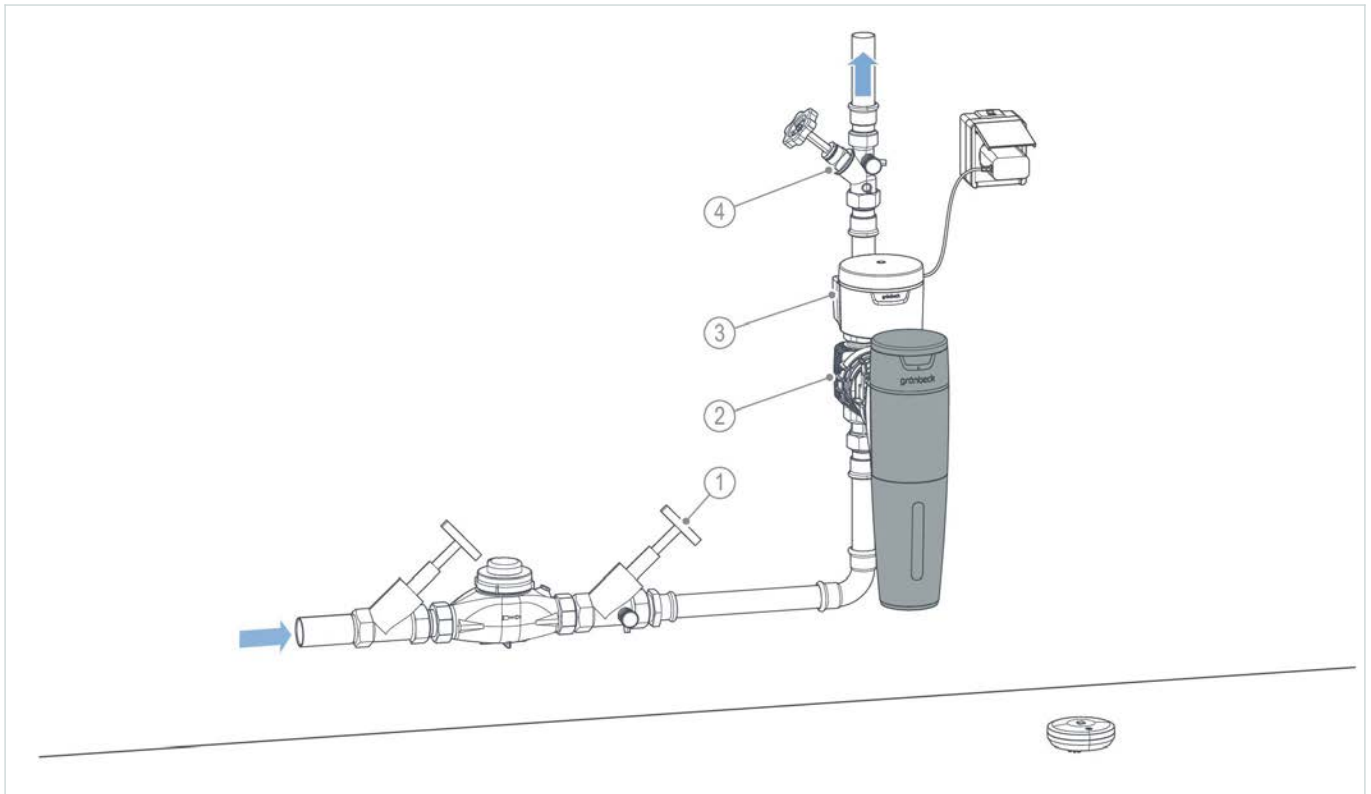
- 1 Inlet shut-off valve
- 2 Safety device protectliQ

Designation

- 3 cliQlock basic module
- 4 Outlet shut-off valve



Installation example



Designation	Designation
1 Inlet shut-off valve	3 cliQlock basic module
2 Safety device protectliQ	4 Outlet shut-off valve

Requirements for the installation site

Obey the local installation directives, general guidelines and technical specifications.

- Protection from frost, severe heat exposure and direct sunlight
- Protection from chemicals, dyes, solvents and their vapours
- Ambient temperature and radiation temperature in the immediate vicinity
 - $\leq 25\text{ °C}$ for applications in the drinking water sector
 - $\leq 40\text{ °C}$ for purely technical applications
- Protection from heat sources (e. .g. heating systems, boilers and hot water pipes)

- Access for maintenance work (take required space into consideration)
- Sufficiently illuminated as well as aerated and ventilated
- Pipe with sufficient load-bearing capacity to support the operating weight of the product




Water installation

- Floor drain or safety device with water stop function (e. g. leakage protection protectliQ:B)
- Shut-off valves upstream and downstream of the product



Accessories

Availability may vary depending on the country.

	KX (DN 20)	KX (DN 25)	KX (DN 32)
 <p>cliQlock basic module DN 20 Order no.: 101000070000 for installing the modular cliQlock system into the drinking water system</p>	✓	–	–
 <p>cliQlock basic module DN 25 Order no.: 101000080000 for installing the modular cliQlock system into the drinking water system</p>	–	✓	–
 <p>cliQlock basic module DN 32 Order no.: 101000090000 for installing the modular cliQlock system into the drinking water system</p>	–	–	✓

Consumables

	KX (DN 20)	KX (DN 25)	KX (DN 32)
 <p>Replacement filter element 100 µm 2-pack size 1 Order no.: 101272e</p>	✓	✓	✓

Recommended products



Availability may vary depending on the country.

	KX (DN 20)	KX (DN 25)	KX (DN 32)
 <p>Dosing system exaliQ:KC6 Order no.: 117400 for volume-based dosing of exaliQ mineral solutions into the drinking and industrial water pipes</p>	✓	✓	✓
 <p>Dosing system exaliQ:SC6 Order no.: 117405 for volume-based dosing of exaliQ mineral solutions into the drinking and industrial water pipes</p>	✓	✓	✓



Recommended products

Availability may vary depending on the country.

	KX (DN 20)	KX (DN 25)	KX (DN 32)
 <p>Water softener softliQ:SE21 Order no.: 189000030000 Single water softener for the softening and partial softening of drinking water.</p>	✓	✓	✓
 <p>Leakage protection protectliQ:B Order no.: 126000010000 Continuously monitors critical areas in wet rooms, e. g. kitchens, bathrooms, laundry rooms, etc., and protects rooms and their furnishings from water damage</p>	✓	✓	✓

