



Backwash filter pureliQ:RX

Intended use

The pureliQ:RX backwash filters are designed for the filtration of drinking water.

The pureliQ:RX backwash filters are designed according to the stipulations of DIN EN 13443-1 and DIN 19628 and are intended for installing into the drinking water installation according to DIN EN 806-2 (installation immediately downstream from the water meter).

They protect the water pipes and connected water-carrying system parts from disturbances and corrosion damage due to undissolved impurities (particles) such as rust particles, sand, etc.

Designated application

The filters can be used for positive and negative pressure applications. However, a backwash only functions if the filter is used in the pressure range.

The filters can only be used in combination with the cliQlock module system.

The filters are not suitable for circulation water that is treated with chemicals.

The filters are neither suitable for oils, greases, solvents, soaps and other lubricating media, nor for the separation of water-soluble substances.



Mode of operation

The unfiltered drinking water flows into the filter through the inlet side and from the outside in through the filter element and to the pure water outlet. Thus, foreign particles of > 100 µm in size are retained.

Depending on their size and weight, the foreign particles either stick to the filter element or they fall straight down into the filter cylinder.

By turning the backwash mechanism to the stop position, the drain is opened. The water flows through the primary screen to the filter element and then flows through the filter element in the reverse direction to normal filtration. Particles sticking to the filter element are detached and washed out to the drain.

Structure

- Cover to protect the filter cylinder and filter element
- Inspection window to determine the degree of impurities in the filter element
- Filter element made of stainless steel mesh
- Filter head made of pressure-resistant plastic with interval indicator for backwashing
- Self-closing backwash handwheel
- Flexible drain connection with free outlet
- Hose adapter for backwashing even without a drain connection on site

Scope of supply

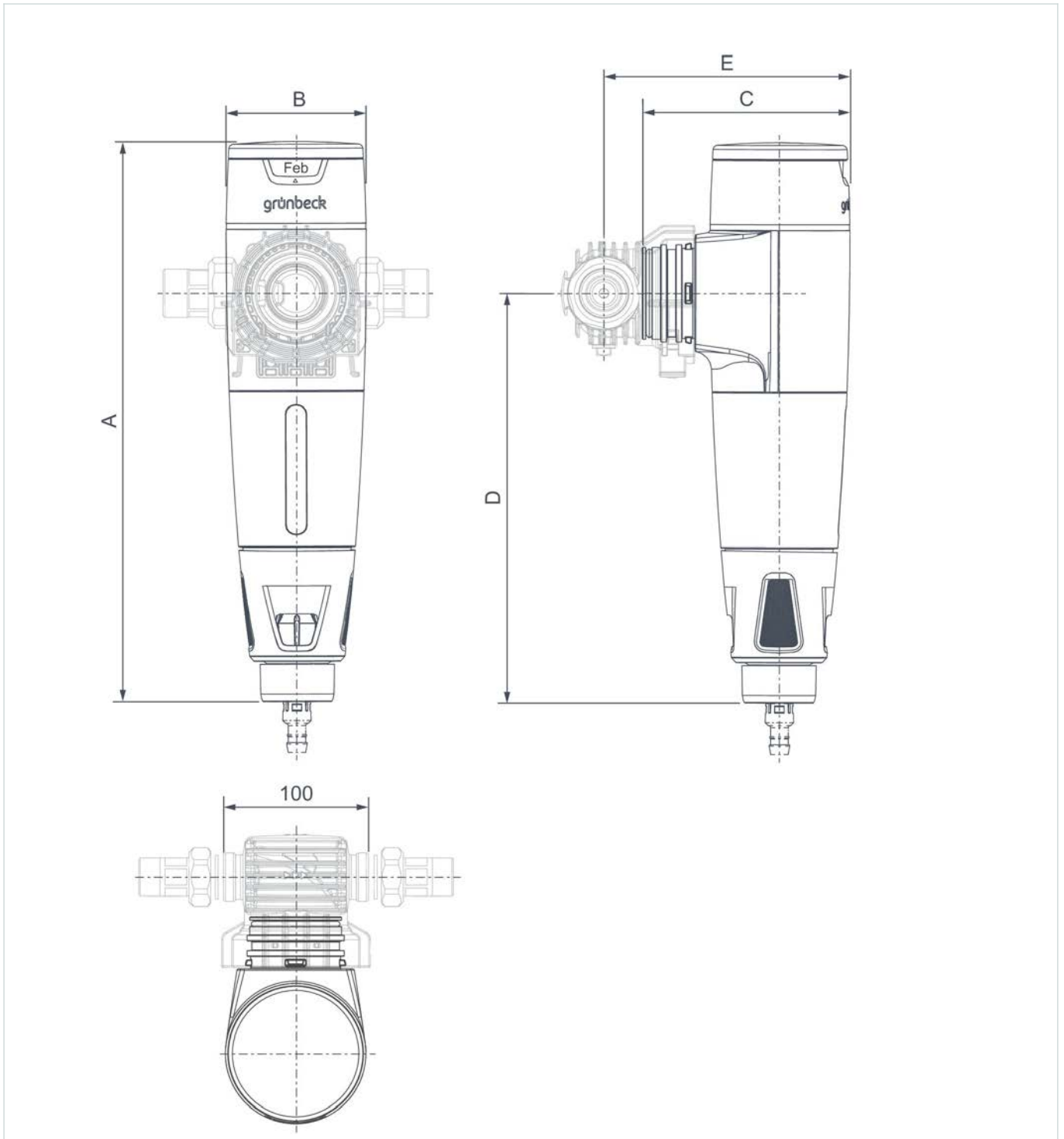
- Backwash filter pureliQ
- 100 µm filter element
- Installation and connection material

Not included in scope of supply

- cliQlock basic module



Technical specifications



Dimensions and weights			RX (DN 20)	RX (DN 25)	RX (DN 32)
A	Height	mm	385	385	385
B	Width	mm	96	96	96
C	Depth	mm	145	145	145
D	Height connection	mm	285	285	285
E	Depth connection	mm	170	170	170
Operating weight			kg	1,2	1,2

Connection data with cliQlock basic module		Backwash filter pureliQ:RX		
Nominal diameter		DN 20	DN 25	DN 32
Connection diameter		¾"	1"	1 ¼"

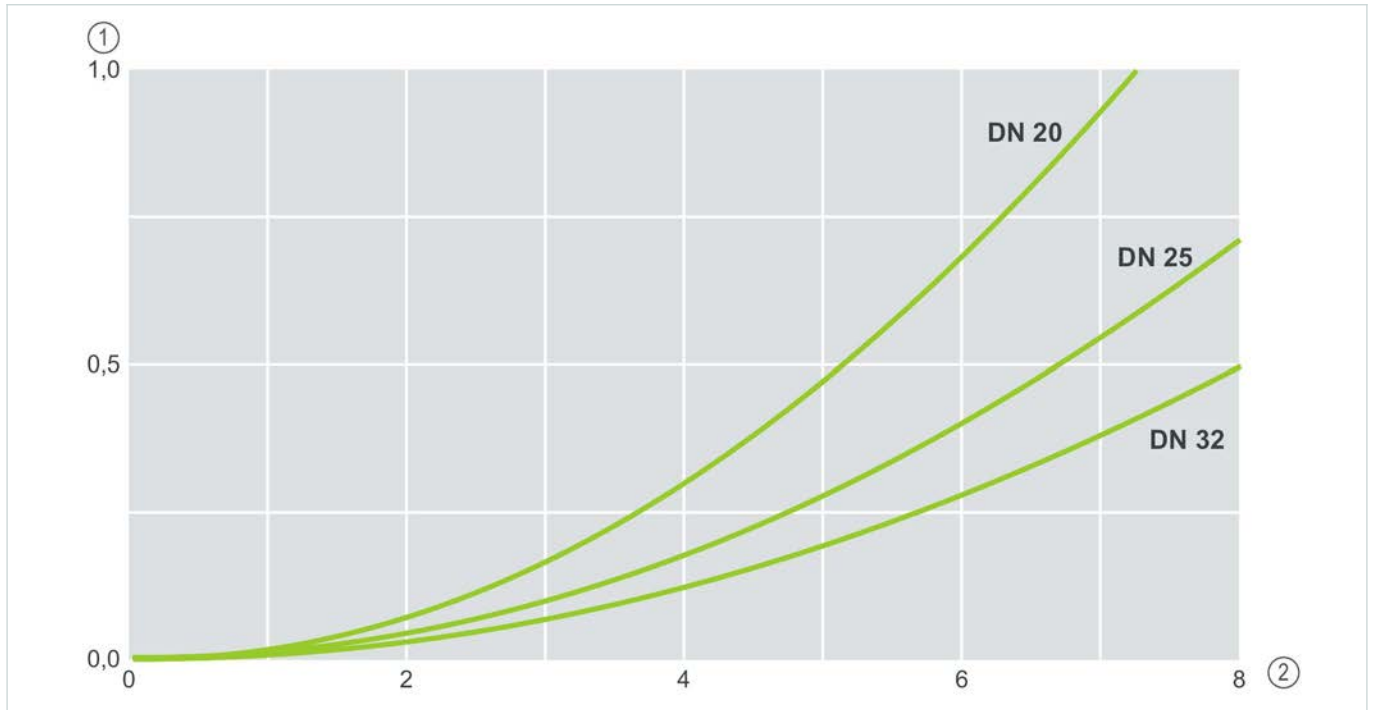
Performance data		RX (DN 20)	RX (DN 25)	RX (DN 32)
Nominal flow at Δp 0.2 bar	m³/h	3,2	4,3	5,0
Nominal flow at Δp 0.5 bar	m³/h	5,1	6,8	8,0
KV value	m³/h	7,2	9,5	11,3
Pore size	µm	100	100	100
Lower and upper filtration fineness	µm	80 - 120	80 - 120	80 - 120
Nominal pressure		PN 16	PN 16	PN 16
Operating pressure	bar	2 - 16	2 - 16	2 - 16

Certificates	RX (DN 20)	RX (DN 25)	RX (DN 32)
Registration num DIN/DVGW		NW-9301CT0031	

General data		RX (DN 20)	RX (DN 25)	RX (DN 32)
Media temperature	°C	5 - 30	5 - 30	5 - 30
Ambient temperature	°C	5 - 40	5 - 40	5 - 40
Backwash water volume at an inlet pressure of 4 bar	l	≤ 4	≤ 4	≤ 4
Order no.		101000030000	101000030000	101000030000

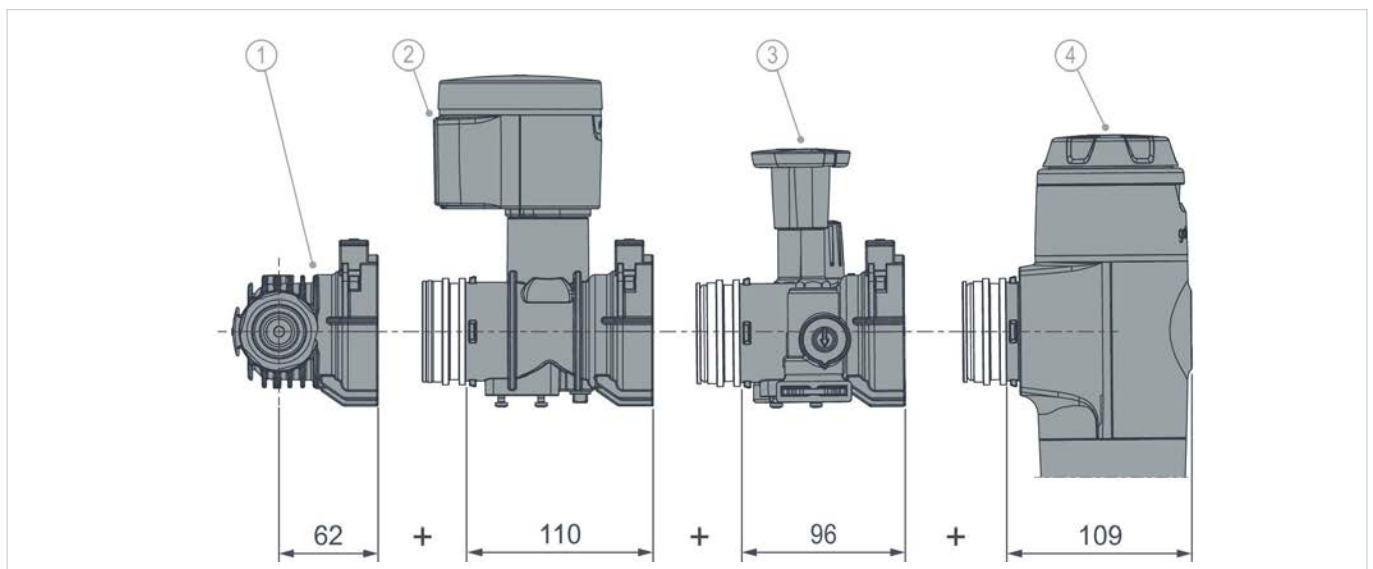


Pressure loss curve



Designation	Designation
1 Differential pressure in bar	2 Flow rate in m³/h

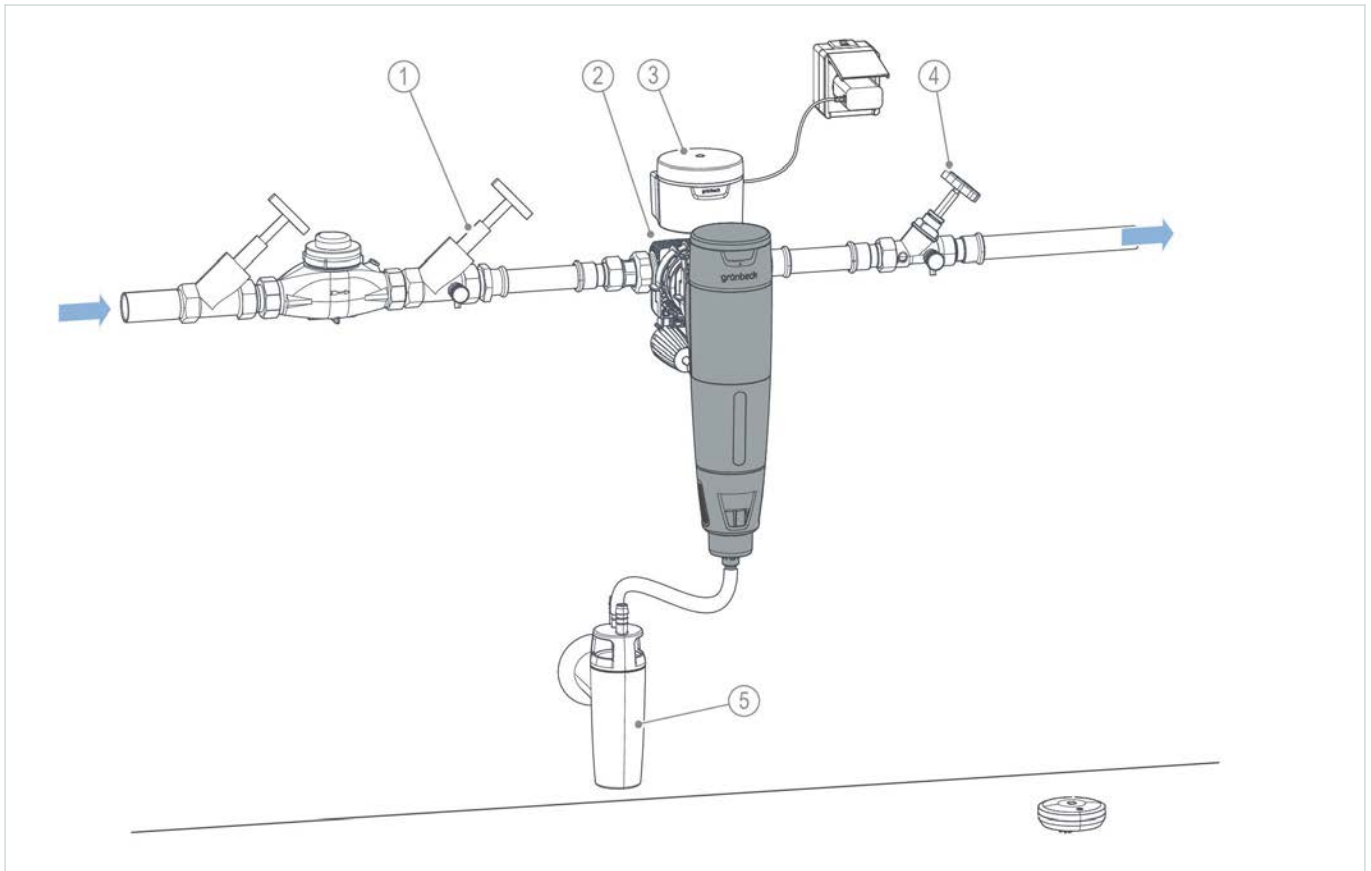
Modular cliQlock system setup dimensions



Designation	Designation
1 cliQlock basic module	3 cliQlock connection module (softliQ)
2 Leakage protection protectliQ:B	4 pureliQ X drinking water filter series



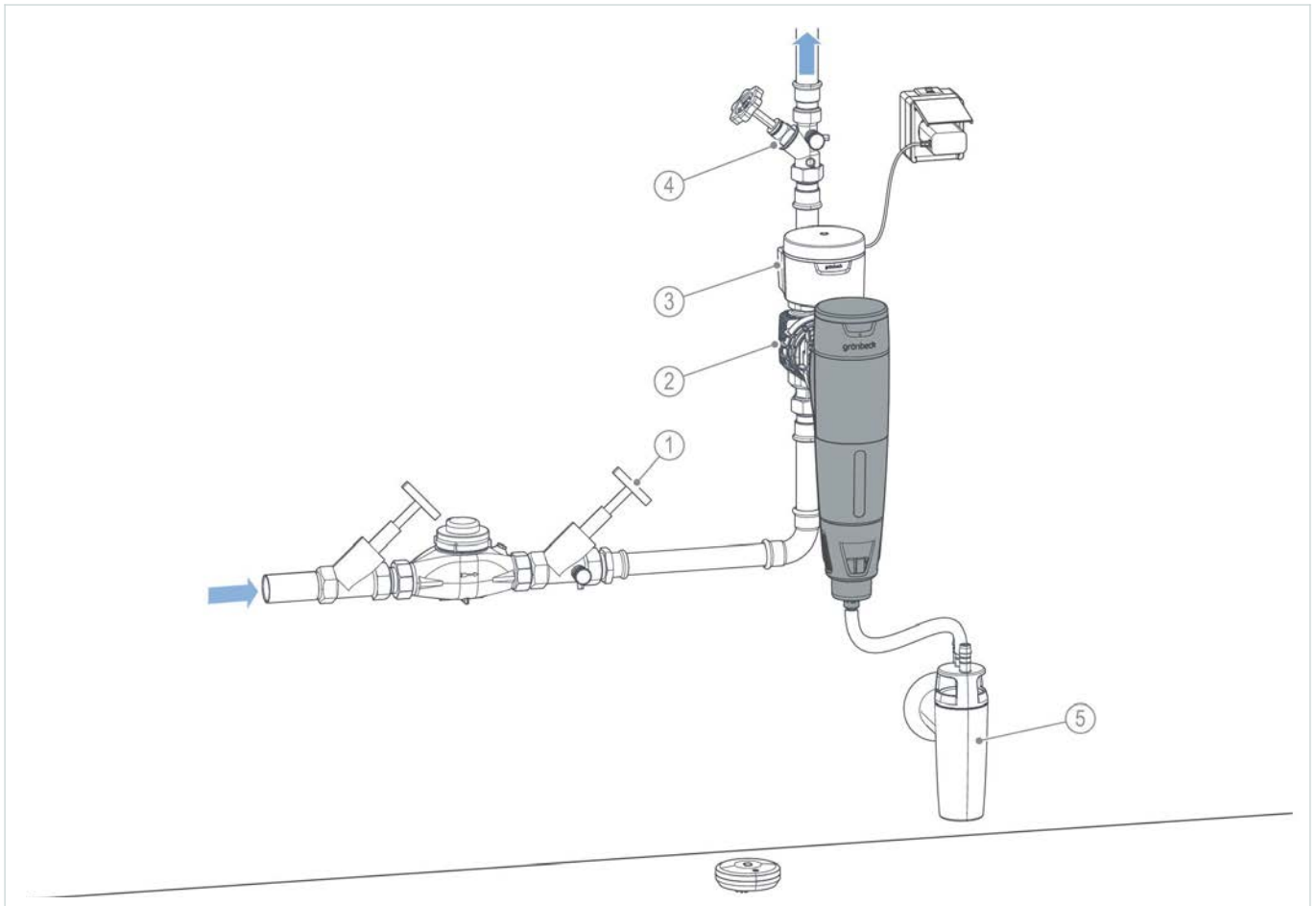
Installation example



Designation		Designation	
1	Inlet shut-off valve	4	Outlet shut-off valve
2	Safety device protectliQ	5	Drain connection DN 50 incl. siphon acc. to DIN EN 1717
3	cliQlock basic module		



Installation example



Designation	Designation
1 Inlet shut-off valve	4 Outlet shut-off valve
2 Safety device protectliQ	5 On-site hose for hose adapter (optional)
3 cliQlock basic module	

Requirements for the installation site

Obey the local installation directives, general guidelines and technical specifications.

- Protection from frost, severe heat exposure and direct sunlight
- Protection from chemicals, dyes, solvents and their vapours
- Ambient temperature and radiation temperature in the immediate vicinity
 - ≤ 25 °C for applications in the drinking water sector
 - ≤ 40 °C for purely technical applications
- Protection from heat sources (e. .g. heating systems, boilers and hot water pipes)

- Access for maintenance work (take required space into consideration)
- Sufficiently illuminated as well as aerated and ventilated
- Pipe with sufficient load-bearing capacity to support the operating weight of the product





Water installation

- Floor drain or corresponding safety device with water stop function (e. g. leakage protection protectliQ:B)
- Shut-off valves upstream and downstream of the product






Accessories

Availability may vary depending on the country.

	RX (DN 20)	RX (DN 25)	RX (DN 32)
 <p>cliQlock basic module DN 20 Order no.: 101000070000 for installing the modular cliQlock system into the drinking water system</p>	✓	–	–
 <p>cliQlock basic module DN 25 Order no.: 101000080000 for installing the modular cliQlock system into the drinking water system</p>	–	✓	–
 <p>cliQlock basic module DN 32 Order no.: 101000090000 for installing the modular cliQlock system into the drinking water system</p>	–	–	✓
 <p>Drain connection DN 50 acc. to DIN EN 1717 Order no.: 188875 For small-scale water softeners, backwash filters and system separators</p>	✓	✓	✓

Recommended products


Availability may vary depending on the country.

	RX (DN 20)	RX (DN 25)	RX (DN 32)
 <p>Dosing system exaliQ:KC6 Order no.: 117400 for volume-based dosing of exaliQ mineral solutions into the drinking and industrial water pipes</p>	✓	✓	✓
 <p>Dosing system exaliQ:SC6 Order no.: 117405 for volume-based dosing of exaliQ mineral solutions into the drinking and industrial water pipes</p>	✓	✓	✓
 <p>Water softener softliQ:SE21 Order no.: 189000030000 Single water softener for the softening and partial softening of drinking water.</p>	✓	✓	✓



Recommended products

Availability may vary depending on the country.

	RX (DN 20)	RX (DN 25)	RX (DN 32)
 <p>Leakage protection protectliQ:B Order no.: 126000010000 Continuously monitors critical areas in wet rooms, e. g. kitchens, bathrooms, laundry rooms, etc., and protects rooms and their furnishings from water damage</p>	✔	✔	✔

